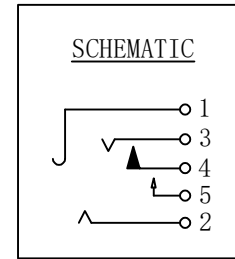
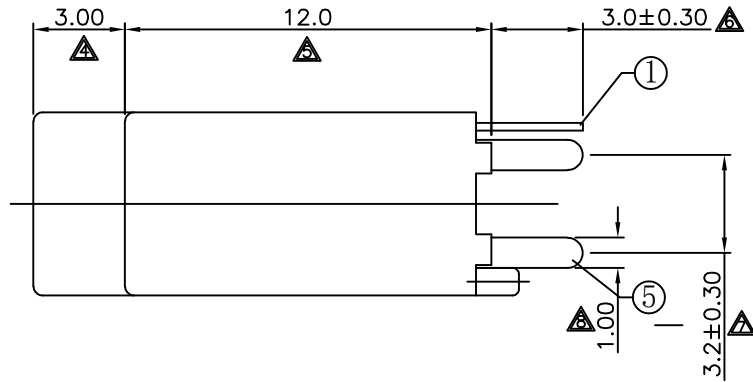
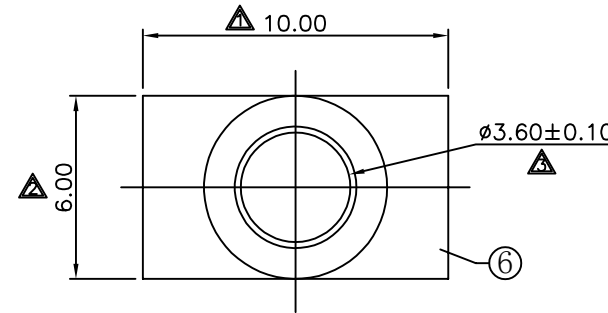
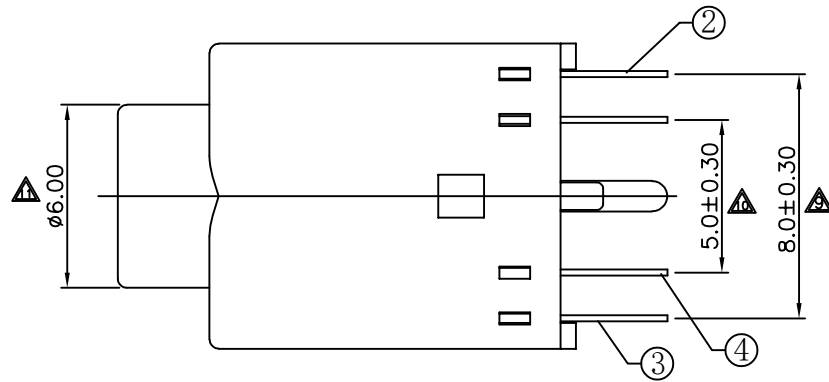


REV.	ECN NO.	MODIFY MATTER	DATE	APPROVED
		RELEASE TO PRODUCTION		



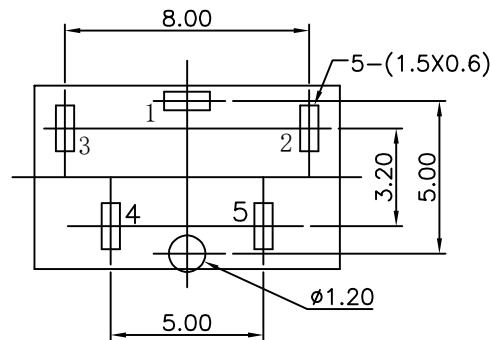
- SPECIFICATION**
1. Rating : DC 30V 0.5A;
 2. Contact resistance: ≈ 0.03 次;
 3. Insulation resistance: $\geq 100M$ 次 (DC250V);
 4. Withstand voltage: 500VAC ;
 5. Insertion and extraction force: 3-30N;
 6. life test: 5,000 cycles.
 7. Marked \triangle are important dimensions.



EAST-D3058-X

- B:BLACK
- P:PINK
- G:GREEN

**P.C.B LAYOUT
TOP VIEW**



NO.	DESCRIPTION	QTY	MATERIAL	COLOR	REMARK
6	HOUSING	1	PBT	---	---
5	FLAT PIECE	1	BRASS	---	Ag-Plating
4	SPRING PIECE	1	SUS301	---	Ag-Plating
3	SPRING PIECE	1	BRONZE	---	Ag-Plating
2	SPRING PIECE	1	BRONZE	---	Ag-Plating
1	CONTACT FOOT	1	BRONZE	---	Ag-Plating

TOLERANCES UNLESS OTHERWISE SPECIFIED: X. --- X.X ± 0.38 X.XX ± 0.25 X.XXX ± 0.10 Angle $\pm 1^\circ$	COSTOMER COPY		深圳市东方御业科技有限公司 www.DFYCCNN.COM TEL:0755-27155560		
	DRAWN: CHENLEI	2017/09/10	TITIAL: 3.5mm PHONE JACK (RoHS)		
CHECKED: CHENLEI	2017/09/10	PART NO: EAST-D3058-X			
APPROVED: QINKAIXING	2017/09/10	UNIT: mm	SCALE: N/A	SHEEL: 1:1	REV.

THESE DRAWING AND SPECIFICATION ARE THE PROPERTY OF Shenzhen Dongfangyue ELECTRONIC CO., LTD.. SHALL NOT BE REPRODUCED.