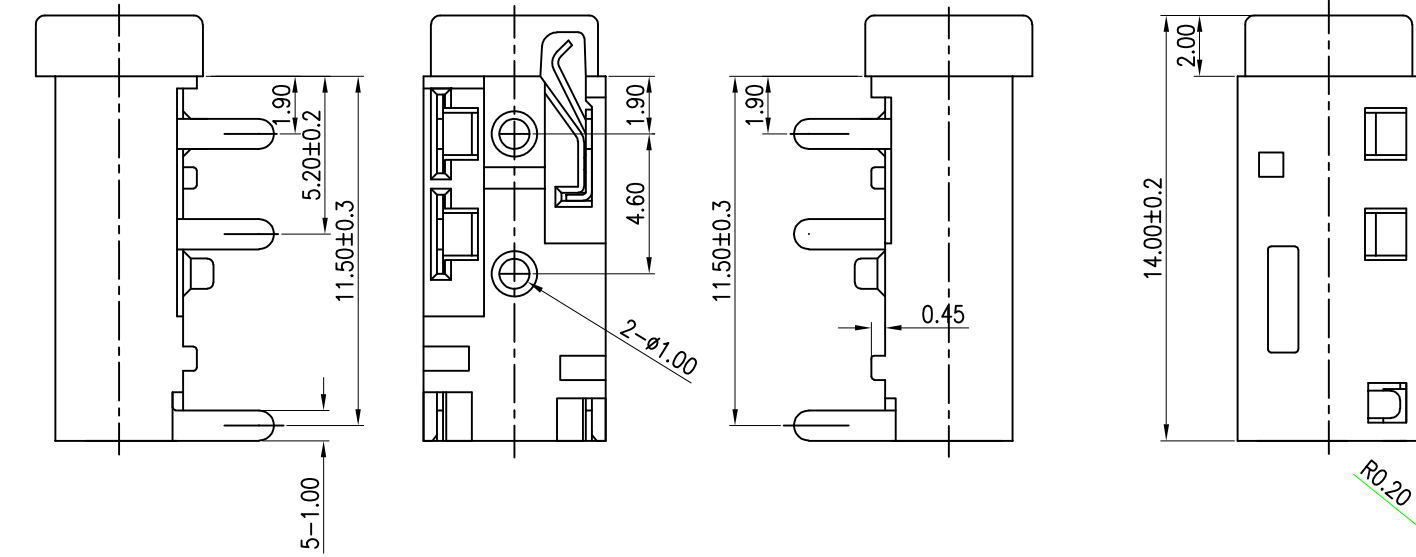
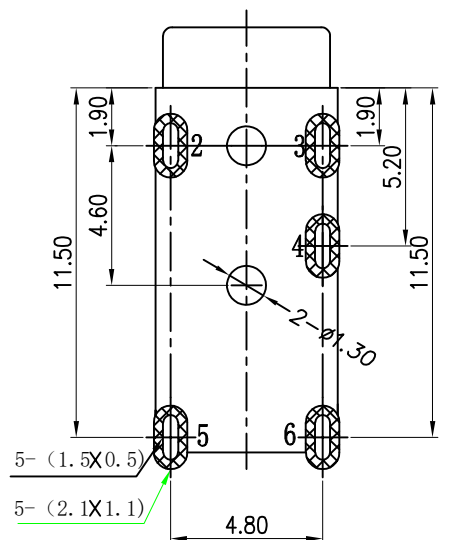


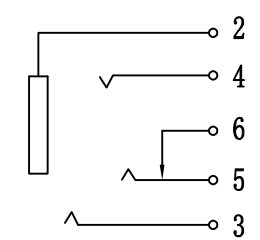
REV.	ECN NO.	MODIFY MATTER	DATE	APPROVED
A		RELEASE TO PRODUCTION		



- SPECIFICATION**
- 1.Ra ting:12V 1.0A
 - 2.Contact resis tance:≤30mΩ ohms
 - 3.Insula tion resis tance:≥100mΩ ohms (DC500V)
 - 4.Withs tang vol tage:500V AC
 - 5.Insert ion and extraction force:3-30N
 - 6.Life test:5,000 cycles

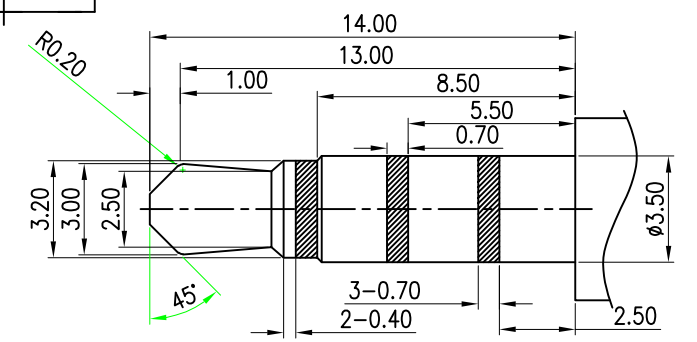


P. C. B LAYOUT TOP VIEW

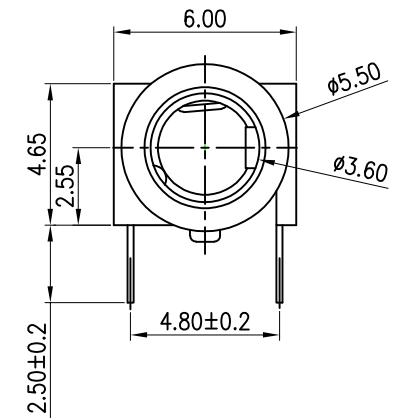


EAST-S3085-X

- B:BLACK
- P:PINK
- G:GREEN



3.5∅ 4POLE PLUG (TOLERANCE: ±0.05)



6	插片脚	1	磷铜	0.2T	镀银
5	弹片脚	1	磷铜	0.2T	镀银
4	中脚	1	磷铜	0.2T	镀银
3	中脚	1	磷铜	0.2T	镀银
2	前脚	1	磷铜	0.2T	镀银
1	底座	1	PPA		黑色
序号	产品名称	数量	材料	规格	电镀

TOLERANCES UNLESS OTHERWISE SPECIFIED: X. --- X.X ± 0.38 X.XX ± 0.25 X.XXX ± 0.20 Angle ± 3°		COSTUMER COPY		深圳市东方御业科技有限公司 WWW.DFYCONN.COM TEL:0755-27155560	
DRAWN: Qinx		2017/09/10		TITAL: PHONE JACK	
CHECKED: Chenl		2017/09/10		PART NO: EAST-S3085-X (RoHS)	
APPROVED: Chenl		2017/09/10		UNIT: mm	
THESE DRAWING AND SPECIFICATION ARE THE PROPERTY OF Shenzhen Dongfangyuye ELECTRONIC CO., LTD. SHALL NOT BE REPRODUCED.		SCALE: N/A		SHEEL: REV.	

DO NOT SCALE PRINT