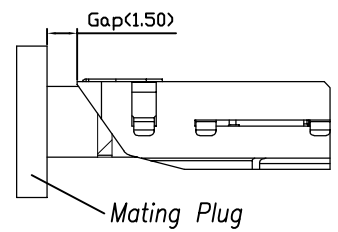
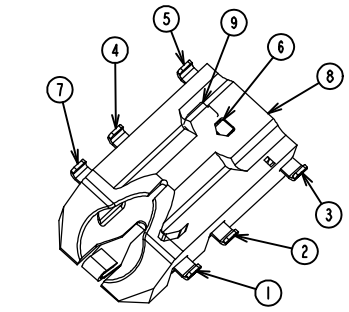
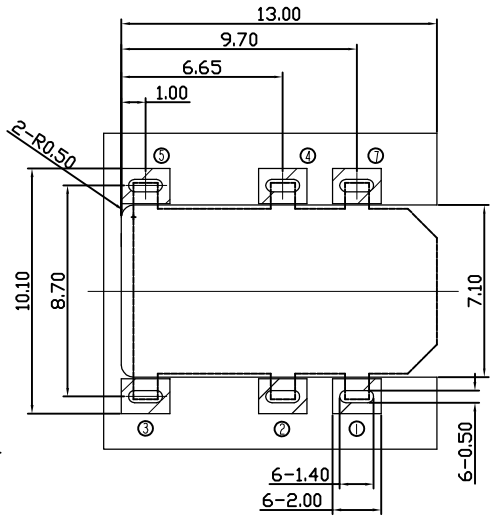
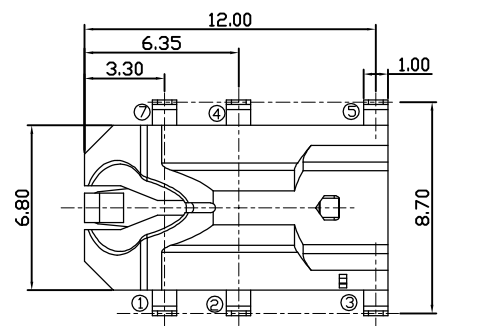
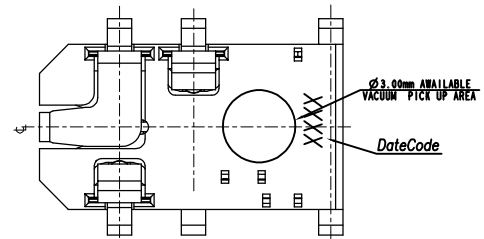
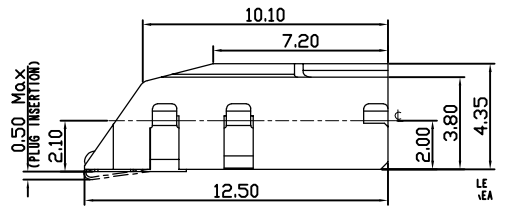


REV.	ECN NO.	MODIFY MATTER	DATE	APPROVED
A		RELEASE TO PRODUCTION		

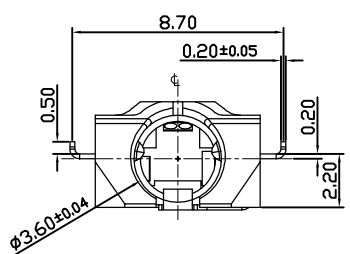


NOTES:
 1.ELECTRICAL CHARACTERISTICS:
 1.1 RATED VOLTAGE: 5 VDC
 1.2 RATED CURRENT: 0.5A MAX PER CONTACT AT 30 ° T-RISE
 1.3 CONTACT RESISTANCE: 70 MILLIOHMS MAX.
 1.4 INSULATION RESISTANCE: 100 MEGAOHMS MIN
 1.5 DIELECTIC WITHSTANDING VOLTAGE: 500V AC AT SEA LEVEL
 2.MECHANICAL CHARACTERISTICS:
 2.1 INSERTION FORCE: 20N MAX.(INITIAL)
 20N MAX.(AFTER 5000 CYCLES DURABILITY TEST)
 2.2 WITHDRWAL FORCE: 12 +15N (INITIAL)
 9 +15N(AFTER 5000 CYCLES DURABILITY TEST)
 2.3 DURABILITY:5000 CYCLES
 3.ENVIRONMENTAL CHARACTERISTICS:
 3.1 OPERATING TEMPERATURE: -30. TO +85.
 3.2 STORAGE TEMPERATURE: -40. TO +85.
 4.PACKAGE: TAPE REEL

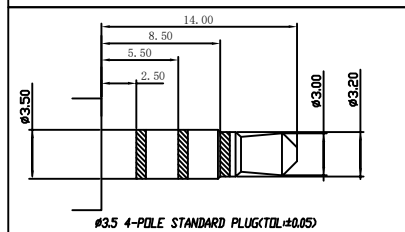
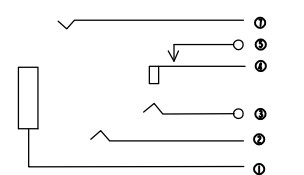
RECOMMENDED PCB LAYOUT
 TOLERANCE IS ± 0.05



EAST-S3701-X
 B:BLACK
 P:PINK
 G:GREEN



SCHEMATIC (PLUG OUT)



DATE CODE (DESCRIPTION OF THE D/C)
 DATE(SUNDAY~SATURDAY:1~7)
 WEEK(25~THE 25TH WEEK)
 YEAR(3~2013)

NO.	DESCRIPTION	QTY	MATERIAL	PLATING
9	INSERT MOLDING	1	LCP	BOACK
8	HOUSING	1	PA9T HF UL 94V-0	BLACK
7	7# CONTACT FOOT	1	COPPER ALLOY	Au-Plating
6	6# CONTACT FOOT	1	STAINLESS STEEL PLATE	
5	5# CONTACT FOOT	1	COPPER ALLOY	Au-Plating
4	4# CONTACT FOOT	1	COPPER ALLOY	Au-Plating
3	3# CONTACT FOOT	1	COPPER ALLOY	Au-Plating
2	2# CONTACT FOOT	1	COPPER ALLOY	Au-Plating
1	1# CONTACT FOOT	1	COPPER ALLOY	Au-Plating

TOLERANCES UNLESS OTHERWISE SPECIFIED:
 X. ---
 X.X ± 0.38
 X.XX ± 0.25
 X.XXX ± 0.20
 Angle ± 3'

CUSTOMER COPY: 深圳市东方御业科技有限公司
 WWW.DFYCONN.COM TEL:0755-27155560

DRAWN: Qinkx 2017/09/10
 CHECKED: Chenl 2017/09/10
 APPROVED: Chenl 2017/09/10

TITIAL: 3.5Ø AUDIO JACK Sinking
 0.2H DIP TYPE CONN (RoHS)

PART NO: EAST-S3701-X
 DRAWING NO:

UNIT: mm SCALE: N/A SHEEL: REV.

THESE DRAWING AND SPECIFICATION ARE THE PROPERTY OF Shenzhen Dongfangyue Electronic Co., Ltd. SHALL NOT BE REPRODUCED.

DO NOT SCALE PRINT