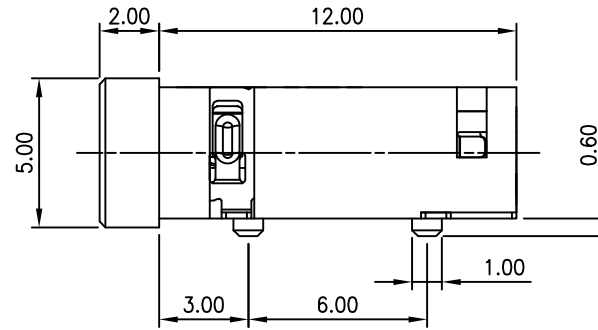
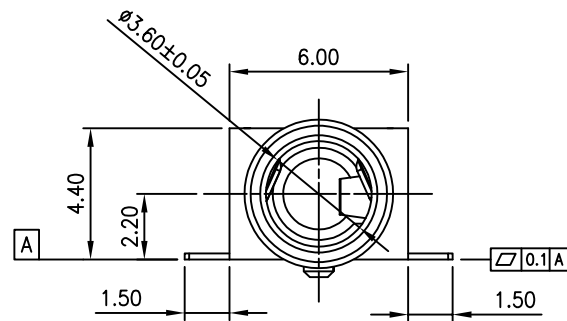
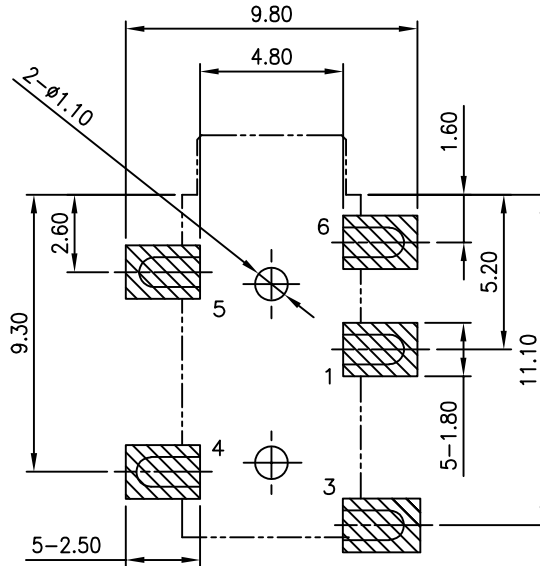
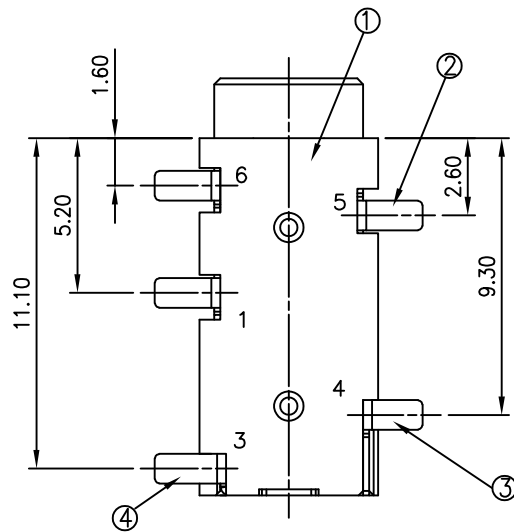
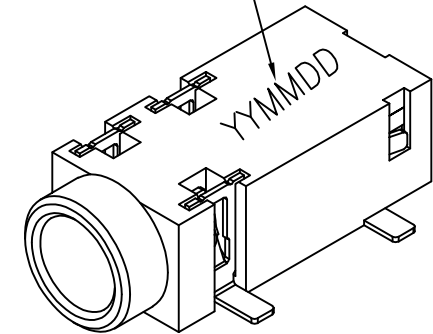


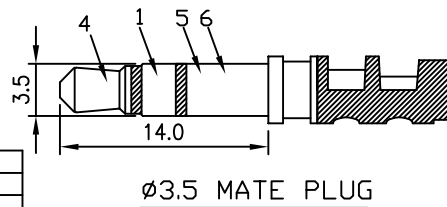
ZONE	SYMBOL	REVISION	APPROVAL	DATE



DATE CODE
 YYMMDD
 YY:YEAR(10~)
 MM:MONTH(01~12)
 DD:DAY(1~31)



RECOMMENDED PADS LAYOUT
 <TOP VIEW>
 NOTE :TOLERANCE FOR PCB LAYOUT IS ± 0.05



SPECIFICATIONS:

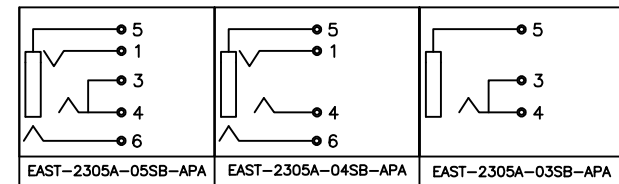
1.MECHANICAL

- a.INSERTION FORCE:0.4Kgs TO 3.0 Kgs
- b.EXTRACTION FORCE:0.4Kgs TO 3.0 Kgs
- c.ENDURANCE:5000 CYCLEs

2.ELECTRICAL

- a.DIELECTRIC WITHSTANDING VOLTAGE:500V AC 1 MINUTE.
- b.INSULATION RESISTANCE:100M Ω MIN
- c.CONTACT RESISTANCE:50 m Ω MAX

3.OPERATING TEMPERATURE: -25 TO +70 °C.



ITEM	DESCRIPTIONs	MATERIAL	FINISH	Q'TY	NOTE
④	T-SHUNT	COPPER ALLOY	Au	1	
③	T-CONTACT	COPPER ALLOY	Au	1	
②	GROUND / RING	COPPER ALLOY	Au	3	
①	HOUSING	HIGH-TEMP PLASTIC		1	

UNLESS OTHERWISE SPECIFIED
 DIMENSION ARE IN CENTIMETER
 TOLERANCE ARE :
 FRACTION DECIMAL ANGLE
 .X ± 0.3 'X' $\pm 5'$
 .XX ± 0.2 'X' $\pm 3'$
 .XXX ± 0.1

3rd ANGLE PROJECTION
 SCALE 1:1 UNIT mm SIZE A4

深圳市东方御业科技有限公司

APPROVALS	DATE	TITLE
DRAWN WANGWEI	2010/04/08	3.5mm EARPHONE JACK
CHECKED COCO	2010/04/08	PART NO.
APPROVED JACK	2010/04/08	EAST-2305A-05SB-APA