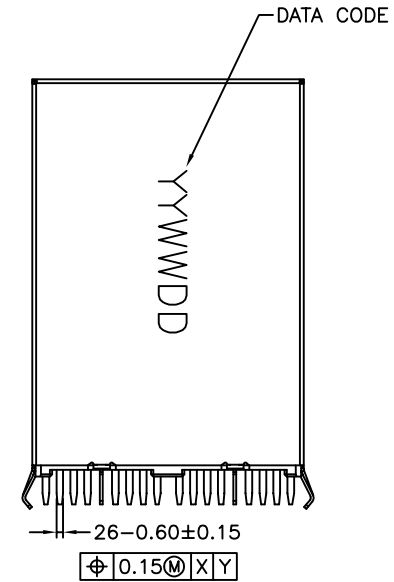
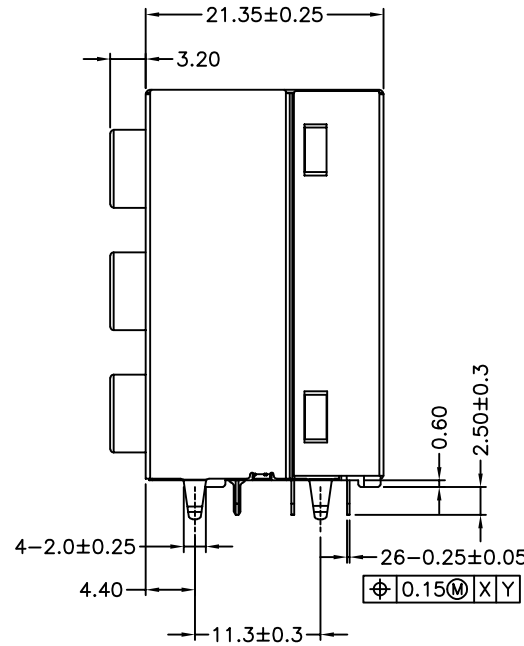
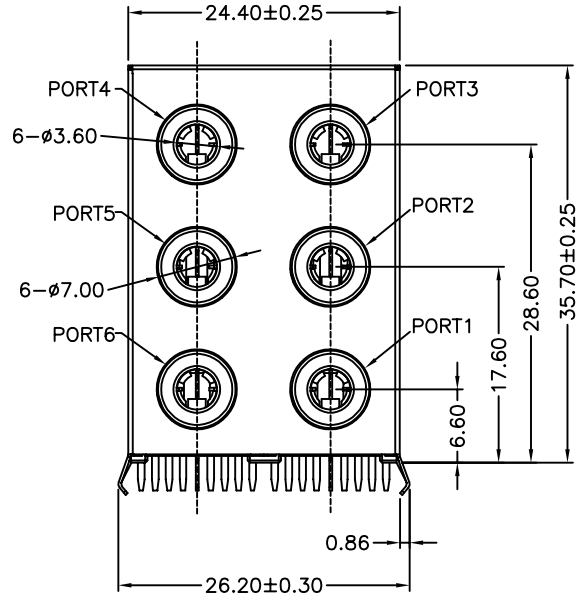
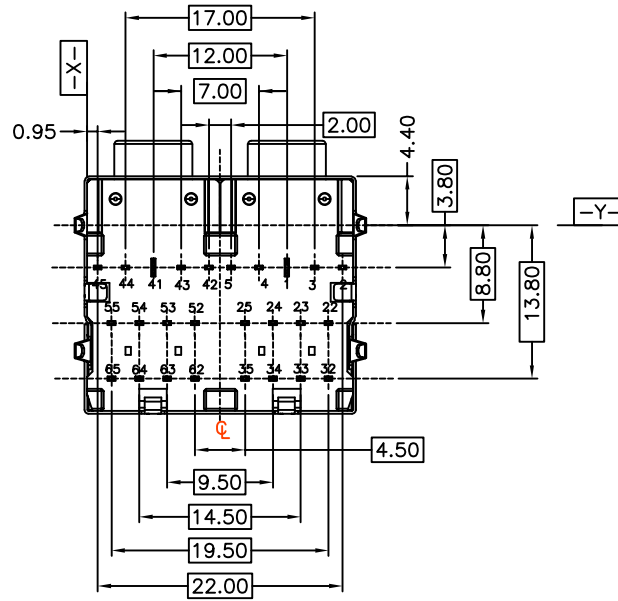
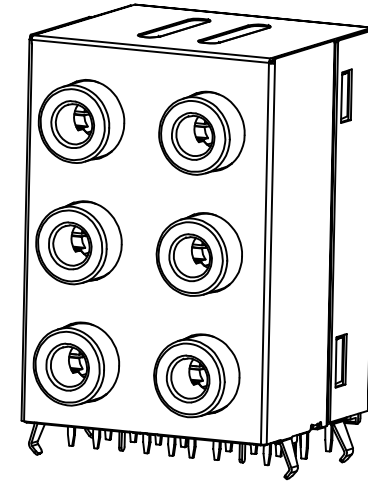


REV.	ECN NO.	MODIFY MATTER	DATE	APPROVED
A		RELEASE TO PRODUCTION		



TOLERANCES UNLESS OTHERWISE SPECIFIED:

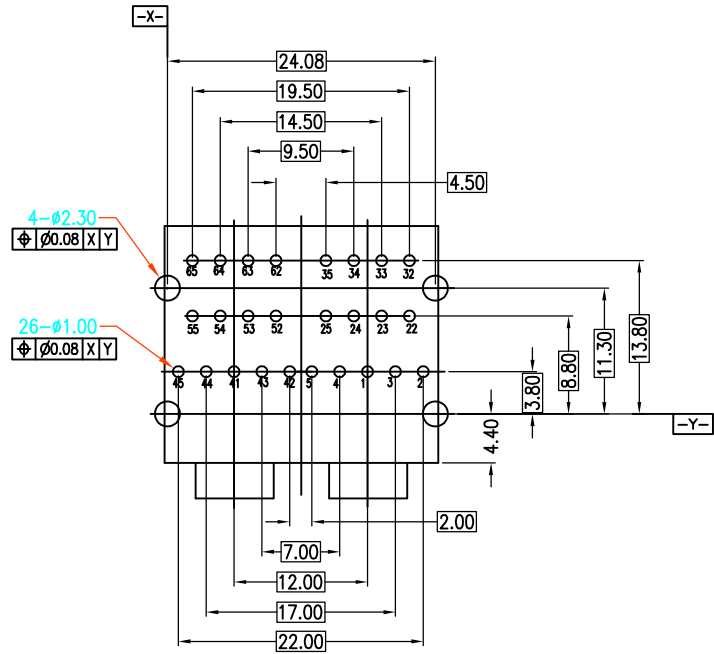
X	---
X.X	± 0.38
X.XX	± 0.25
X.XXX	± 0.20
Angle	± 3°

COSTUMER COPY	
DRAWN: Qinkx	2019/09/10
CHECKED: Chenl	2019/09/10
APPROVED: Chenl	2019/09/10

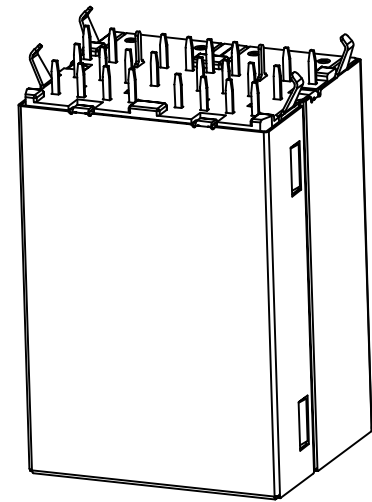
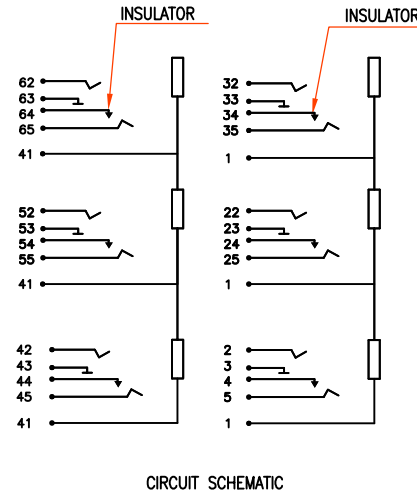
深圳市东方御业科技有限公司 WWW.DFYCONN.COM TEL:0755-27155560	
TITAL: OD JACK 6Port成品客户图	
PART NO: EAST-669S-13-S	
UNIT: mm	SCALE: N/A
SHEEL:	REV:

THESE DRAWING AND SPECIFICATION ARE THE PROPERTY OF Shenzhen Dongfangyue ELECTRONIC CO., LTD.. SHALL NOT BE REPRODUCED.

REV.	ECN NO.	MODIFY MATTER	DATE	APPROVED
A		RELEASE TO PRODUCTION		



PCB LAYOUT (TOP VIEW)
TOLERANCE:±0.05mm



TABLE

EAST-669S-12-S	RED701C	GREEN577C	BLUE284C	ORANGE157C	BLACK	GRAYN422C
EAST-669S-13-S	GRAYN422C	ORANGE157C	BLACK	BLUE284C	GREEN577C	RED701C
PORT NO	PORT 1	PORT 2	PORT 3	PORT 4	PORT 5	PORT 6

NOTE:

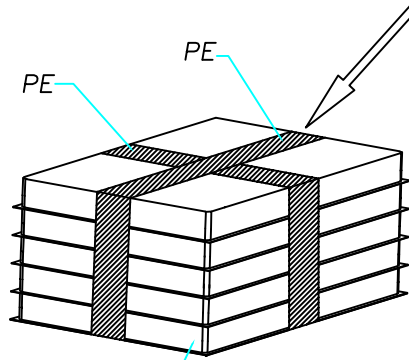
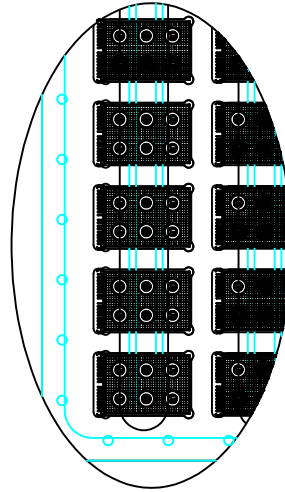
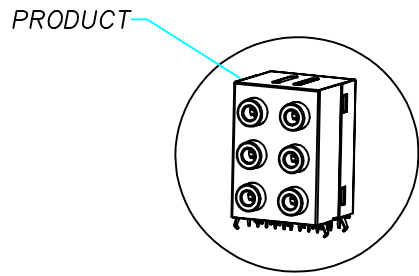
- 1.ROHS COMPLIANT
- 2.MECHANICAL PERFORMANCE.
 - 2.1 INSERTION FORCE: 3.0Kgf MAX.
 - 2.2 WITHDRAWAL FORCE: 0.3Kgf MIN.
 - 2.3 DURABILITY:1500 CYCLES.
- 3.ELECTRICAL PERFORMANCE.
 - 3.1 INSULATION RESISTANCE: 100MΩ MIN.
 - 3.2 DIELECTRIC WITHSTANDING VOLTAGE: 500VAC
 - 3.3 CONTACT RESISTANCE: 50mΩ MAX.(INITIAL)
100mΩ MAX.(AFTER LIFE TEST)
- 4.ENVIRONMENTAL CHARACTERSTICS.
 - 4.1 STORAGE TEMPERATURE RANGE:-40°C~+85°C.
 - 4.2 OPERATING TEMPERATURE: -25°C~+85°C.

9	Audio Jack HAT	PBT+30%G.F,UL94V-0	color see table	5
8	Audio Cover	PA66, UL94V-0	Black	1
7	Audio Jack Housing	PA66, UL94V-0	Black	2
6	Shield	SUS430	50u"Nickel Plated	1
5	Land Terminal 41:1	Copper Alloy	Tin100u" Plated & 50u"Nickel Plated Contact point plating G/F	2
4	Tip Terminal 63:5;43:35;23:3	Copper Alloy		5
3	TS Terminal 62:52;42:32;22:2	Copper Alloy		5
2	RS Terminal 65:55;45:35;25:5	Copper Alloy		5
1	Ring Terminal 64:54;44:34;24:4	Copper Alloy		5
ITEM	NAME	MATERIAL	FINISH	SUM

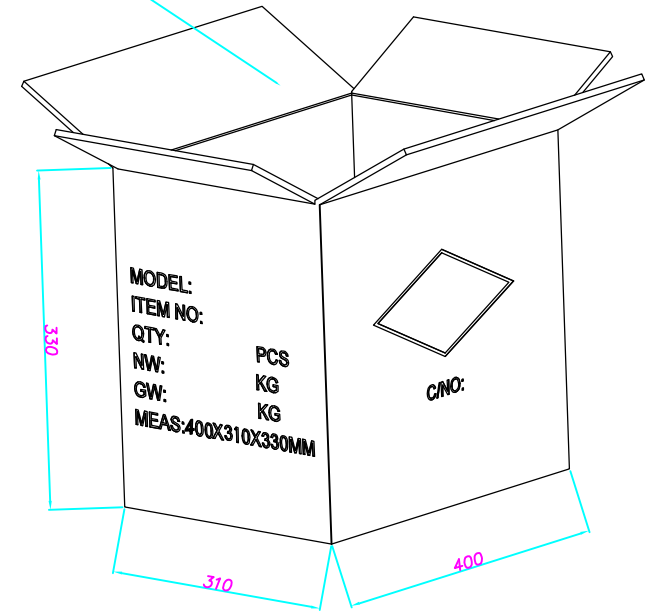
TOLERANCES UNLESS OTHERWISE SPECIFIED: X. --- X.X ± 0.38 X.XX ± 0.25 X.XXX ± 0.20 Angle ± 3'	COSTOMER COPY		深圳市东方御业科技有限公司 WWW.DFYCONN.COM TEL:0755-27155560			
	DRAWN: Qinkx	2019/09/10	TITAL: OD JACK 6Port成品客户图			
	CHECKED: Chenl	2019/09/10	PART NO: EAST-669S-13-S			
	APPROVED: Chenl	2019/09/10	UNIT: mm	SCALE: N/A	SHEEL:	REV.

REV.	ECN NO.	MODIFY	MATTER	DATE	APPROVED
A		RELEASE TO PRODUCTION			

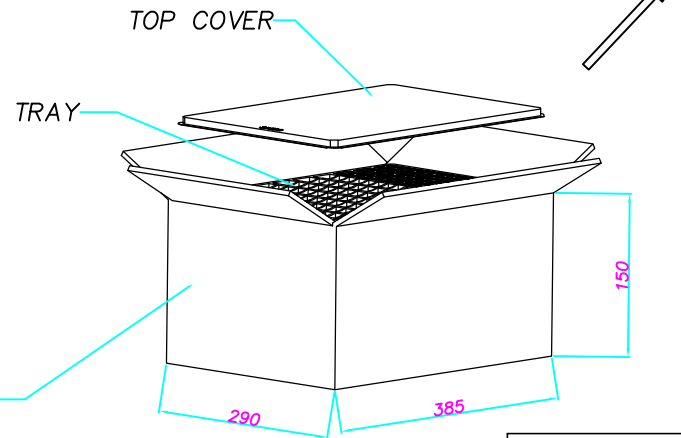
1 CARTON/2PCS INNER BOX
SIZE: L400XW310XH330



1 TRAY /50PCS PPRODUCT
SIZE: L375XW280XH28



1大箱=250pcs/小箱*2小箱
=500pcs



1 INNER BOX/5PCS TRAY
SIZE: L385XW290XH150

1小箱=50pcs/盒*5
=250pcs

TOLERANCES UNLESS OTHERWISE SPECIFIED:

X	---
X.X	± 0.38
X.XX	± 0.25
X.XXX	± 0.20
Angle	± 3'

COSTOMER COPY

深圳市东方御业科技有限公司
WWW.DFYCONN.COM TEL:0755-27155560

DRAWN: Qinkx

2019/09/10

CHECKED: Chenl

2019/09/10

APPROVED: Chenl

2019/09/10

TITAL:

OD JACK 6Port包装图

PART NO:

EAST-669S-13-S

UNIT: mm



SCALE: N/A

SHEEL:

REV.

THESE DRAWING AND SPECIFICATION ARE THE PROPERTY OF Shenzhen Dongfangyue ELECTRONIC CO., LTD.. SHALL NOT BE REPRODUCED.