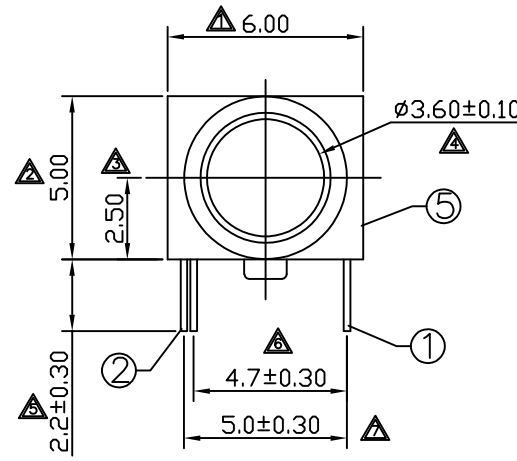
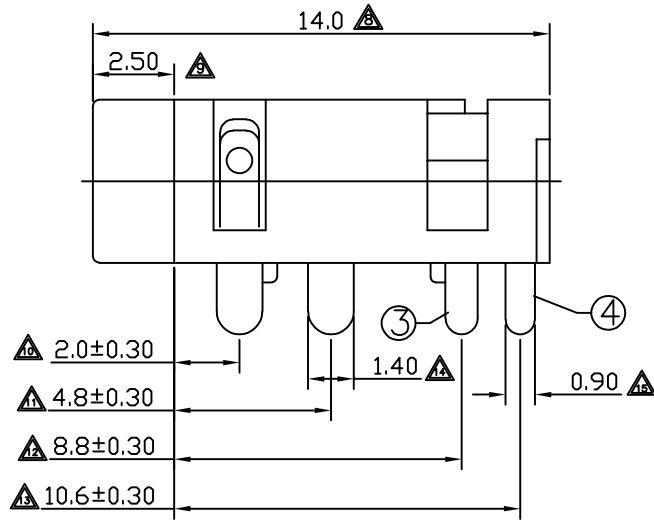


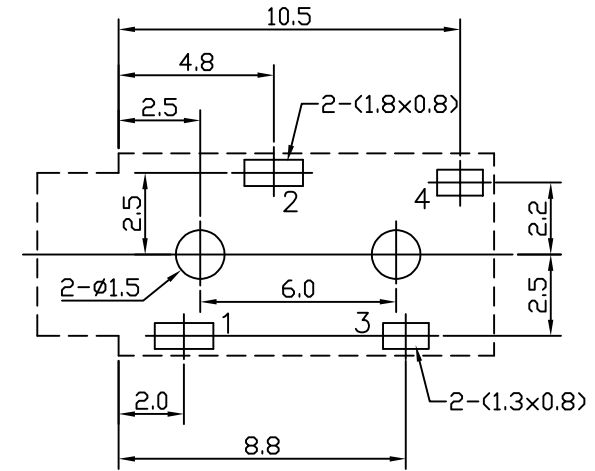
REV.	ECN NO.	MODIFY MATTER	DATE	APPROVED
A		RELEASE TO PRODUCTION		



P.C.B LAYOUT
TOP VIEW

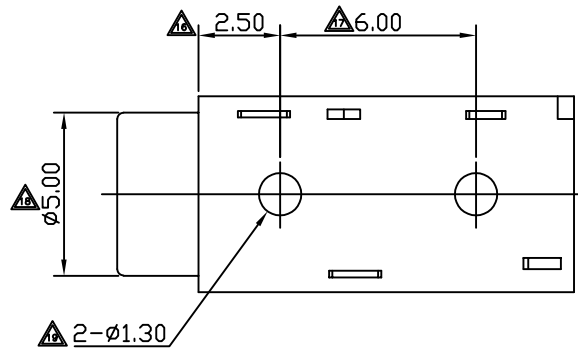
SPECIFICATION

1. Rating : DC 30V 0.5A;
2. Contact resistance: $\leq 30m\Omega$;
3. Insulation resistance: $\geq 100M\Omega$ (DC250V);
4. Withstand voltage: 500VAC ;
5. Insertion and extraction force: 3-30N;
6. life test: 5,000 cycles.
7. Marked \triangle are important dimensions.



SCHMATIC

EAST-D3027	EAST-D3027-1	EAST-D3027-2



EAST-D3027-X

- B:BLACK
- P:PINK(#199C)
- G:GREEN(#577C)

5	HOUSING	1	PBT	—	—
4	CIRVE PIECE	1	BRASS	—	Ag-Plating
3	SPRING PIECE	1	Be-Cu	—	Ag-Plating
2	CONTACT FOOT	1	SUS301	—	Ag-Plating
1	CONTACT FOOT	1	SUS301	—	Ag-Plating
NO.	DESCRIPTION	QTY	MATERIAL	COLOR	REMARK

TOLERANCES UNLESS OTHERWISE SPECIFIED: X. — X.X ± 0.38 X.XX ± 0.25 X.XXX ± 0.10 Angle ± 1°		COSTOMER COPY		深圳市东方御业科技有限公司 WWW.DFYCCOMM.COM TEL:0755-27155560	
DRAWN: CHENLEI		2017/09/10		TITLE: PHONE JACK	
CHECKED: CHENLEI		2017/09/10		PART NO: EAST-D3027-X (RoHS)	
APPROVED: QINKAIXING		2017/09/10		UNIT: mm	SCALE: N/A
THESE DRAWING AND SPECIFICATION ARE THE PROPERTY OF Shenzhen Dongfangyue ELECTRONIC CO., LTD. SHALL NOT BE REPRODUCED.				SHEET: 1:1	REV.