

**\*ORDER INFORMATION:\***  
**EAST-164 01 X XX XX X X**

No. of Pins: \_\_\_\_\_

Plating: \_\_\_\_\_

Enviroment Protection:  
 R for RoHS  
 G for GP  
 H for Halogen-free

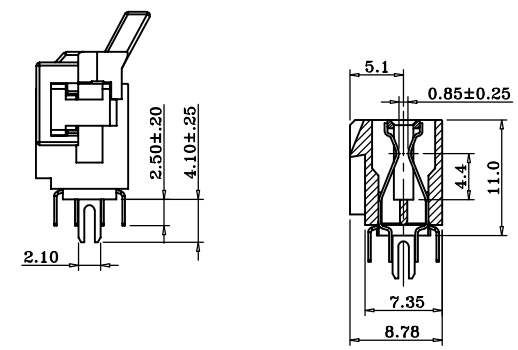
Packing:  
 A-Tube, C-Tray, E-Box

HSG Color:  
 Ax:Red, Bx:Orange, Cx:Yellow,  
 Dx:Green, Ex:Yellow, Fx:Blue,  
 Hx:Gray, Gx:Purple, Kx:Black .....

Ejector Color:  
 07:White, 11:Black

Material:  
 Housing: PA66+30G/F,UL-HB Min.,Color:SEE TABLE  
 Ejector: PA66+30G/F,UL-HB Min.,Color:White  
 Termination: Brass, Gold plating at mating area,  
 Matte Tin plating at sold tail area,  
 all over Nickel(30u" min);

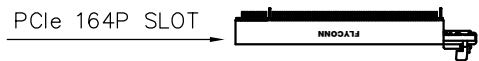
WAVE SODDERING TEMPRATURE:  
 THE CONNECTOR SHALL BE MOUNTED ON THE PCB  
 OF THE SOLDER SHALL BE 260±5°C  
 ANDIMMERSION DURATION:10 SECONDS.



SECTION A-A

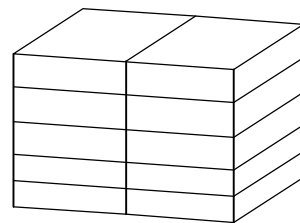
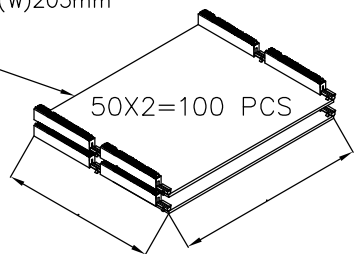
TOLERANCE		深圳市东方御业科技有限公司 WWW.DFYCONN.COM TEL:0755-27155560	TITLE: PCIe 164Pin Slot Slide with Fork DIP=2.50mm			
LINEAR	ANGLES		PART NO.: SEE TABLE			
X.±0.50	X'.±2.0'	APPD: _____ CHKD: _____	DWG NO.: _____			
.X±0.38	.X'±1.0'		DRWN: Rocky	UNITS	SCALE	SHEET
.XX±0.25	.XX'±	DATE: 2012-7-30	MM	1:1	1 OF 1	A/0
.XXX±0.15	.XXX'±					

1-1 如图所示将产品摆放在平卡上

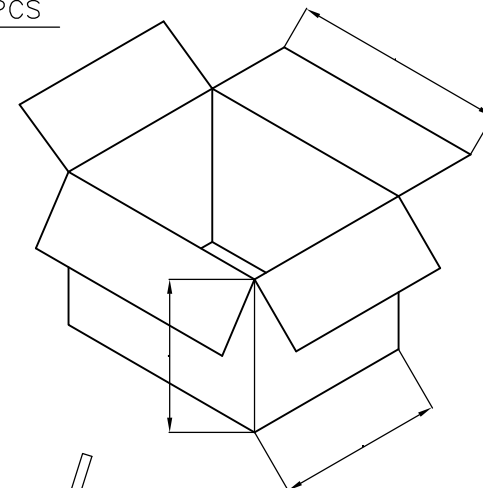


1-2 每层摆放2排，每排摆放25PCS

Size: (L)220\*(W)205mm  
平卡

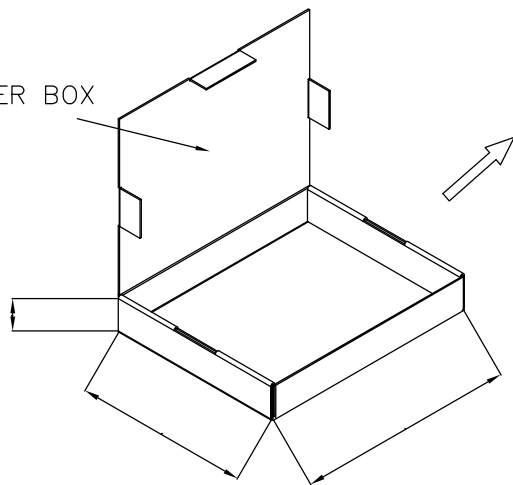


10 BOXES/1000 PCS

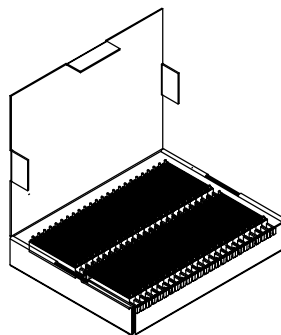


Size: (L)437\*(W)250\*(H)250mm

PAPER BOX



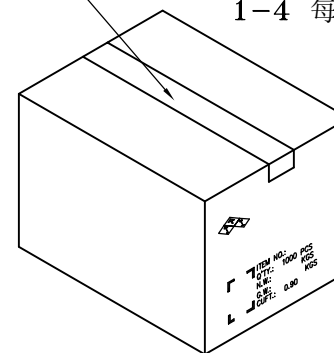
Size: (L)230\*(W)210\*(H)45mm



PAPER BOX  
100 PCS / BOX

1-3 每盒摆放2层，每层摆放50PCS

TAPE



1-4 每箱装10盒（共二叠，每叠5层）

10 BOXES / CARTON  
TOTAL: 1000 PCS

- 1-5 纸箱开口处以透明胶带粘合；
- 1-6 若有未装满之尾数箱，必须以填充物塞满；
- 1-7 纸箱侧唛贴上标签

TOLERANCE		深圳市东方御业科技有限公司		TITLE: PCIe 164Pin Slot,Slide, Packing Drawing			
LINEAR	ANGLES	www.dfyconn.com Tel: 0755-27155560		PART NO.: A-16401X03XXXX			
X.±0.50	X'.±2.0'			DWG NO.(OLD): EAST-EB-018			
.X±0.30	.X'±1.0'	APPD:	DRWN: Rocky	UNITS	SCALE	SHEET	REV
.XX±0.20	.XX±	CHKD:	DATE:2007-3-21	MM	1:1	1 OF 1	A/0
.XXX±0.10	.XXX±						