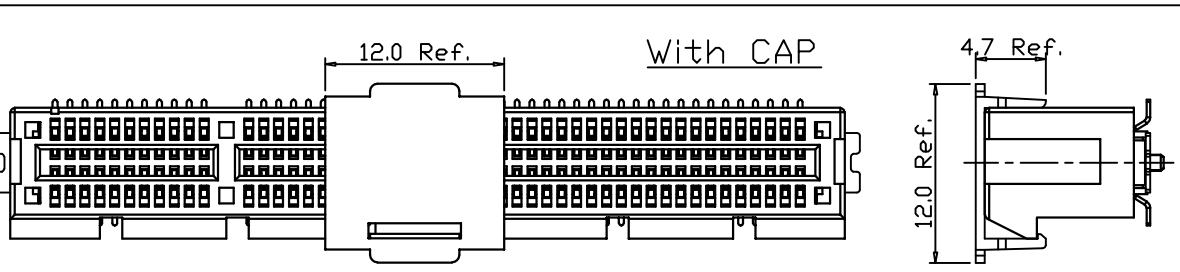
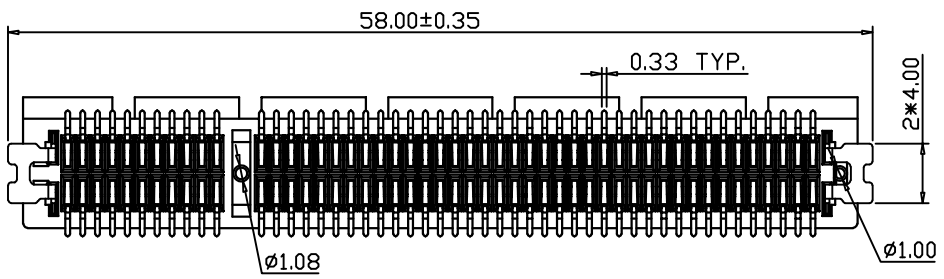
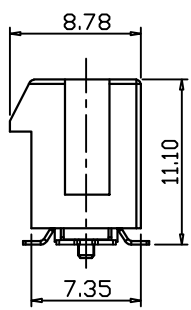
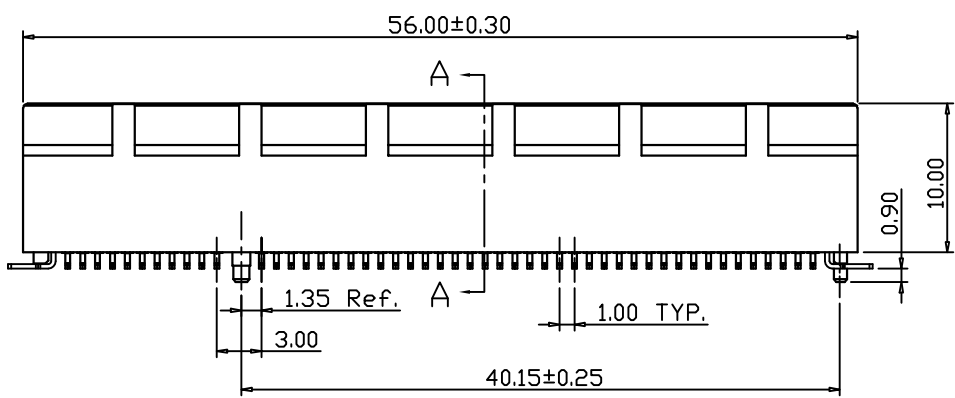


SECTION A-A



\*Material:

- 1.Housing: LCP+30% G/F, UL94V-0,COLOR: BLACK.;
- 2.Terminal: Copper Alloy,T=0.25mm;  
Plating: Gold in contact area;  
100u" Min Tin in solder area;  
50u" MIN.NICKEL UNDERPLATING OVER ALL.
- 3.Latch: Copper Alloy,T=0.30mm;  
Plating: 30u" NICKEL UNDERPLATING OVER ALL;  
80u" Min Tin PLATING OVER ALL.

\*Electrical Characteristics:

- 1>Contact Resistance: 30mΩ Max.
- 2:Insulation Resistance: 1000MΩ Min.
- 3:Dielectric Strength: 500V DC/1MIN.
- 4.Contact Current rating: 1.1 A Per Pin Min.

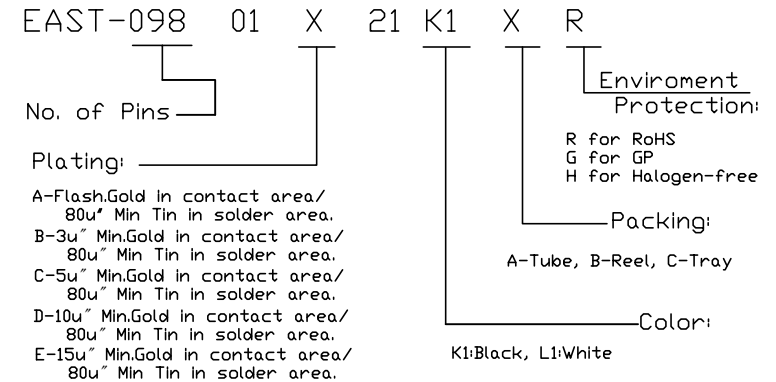
\*Mechanical Characteristics:

- 1:Insertion Force: 1.15N per contact pair Max.
- 2:Extraction Force: 0.15N per contact pair Min.
- 3.Durability rating:50 Cycles

\*Operating temperature: -25°C ~ +85°C

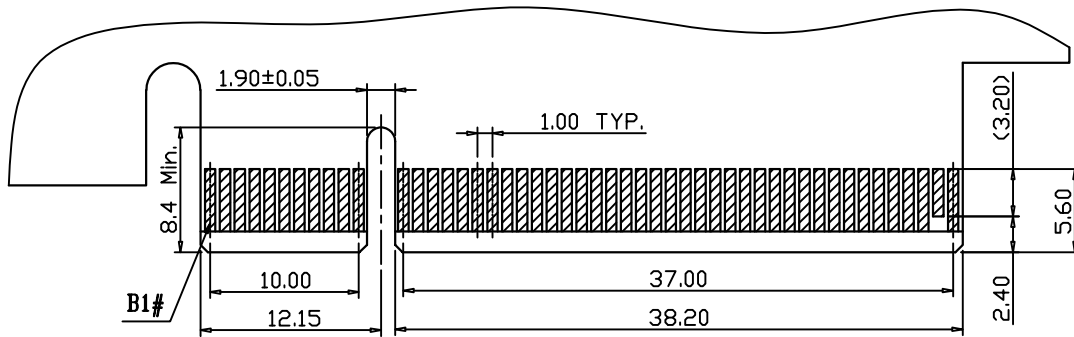
\*Storage temperature: 0°C ~ +25°C

\*ORDER INFORMATION:\*

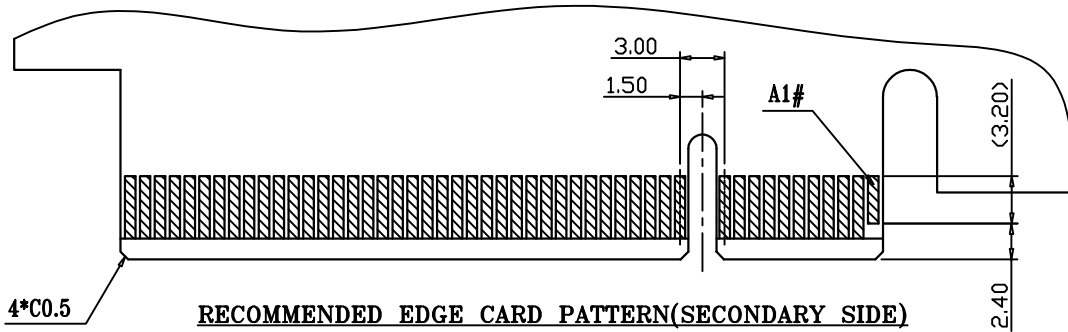
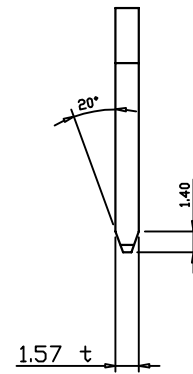


|           |          |  |                |  |       |        |     |
|-----------|----------|--|----------------|--|-------|--------|-----|
| TOLERANCE |          | 深圳市东方御业科技有限公司<br>Tel:0755-27155560 WWW.DFYCONN.COM |                | TITLE: PCIe 98P Vertical SMT type with Latch |       |        |     |
| LINEAR    | ANGLES   |  |                | PART NO.: SEE TABLE                          |       |        |     |
| X.±0.50   | X*.±2.0* |  |                | DWG NO.: EAST-09801-021                      |       |        |     |
| .X±0.38   | .X*±1.0* |  |                | UNITS  | SCALE | SHEET  | REV |
| .XX±0.25  | .XX*±    | APPD:  | DRWN: Rocky    | MM   | 1:1   | 1 OF 2 | A/0 |
| .XXX±0.15 | .XXX*±   | CHKD:  | DATE: 2015-1-7 |  |       |        |     |

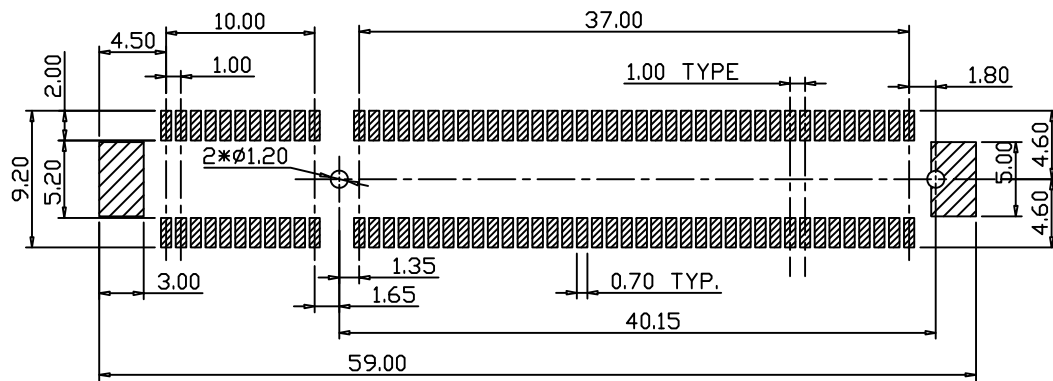
|     |     |             |      |     |
|-----|-----|-------------|------|-----|
| REV | LTR | DESCRIPTION | DATE | DWN |
|-----|-----|-------------|------|-----|



RECOMMENDED EDGE CARD PATTERN(PRIMARY SIDE)



RECOMMENDED EDGE CARD PATTERN(SECONDARY SIDE)



RECOMMENDED PCB LAYOUT (COMPONENT SIDE) TOLERANCE: ±0.05

| TOLERANCE  |          | 深圳市东方御业科技有限公司                     |                | TITLE:                  |       |
|------------|----------|-----------------------------------|----------------|-------------------------|-------|
| LINEAR     | ANGLES   | Tel:0755-27155560 WWW.DFYCONN.COM |                | PART NO.: SEE TABLE     |       |
| X.±0.50    | X*±2.0°  |                                   |                | DWG NO.: EAST-09801-021 |       |
| .X ±0.38   | .X*±1.0° | APPD:                             | DRWN: Rocky    | UNITS                   | SCALE |
| .XX ±0.25  | .XX*±    | CHKD:                             | DATE: 2015-1-7 | MM                      | 1:1   |
| .XXX ±0.15 | .XXX*±   |                                   |                | SHEET                   | REV   |
|            |          |                                   |                | 2 OF 2                  | A/0   |