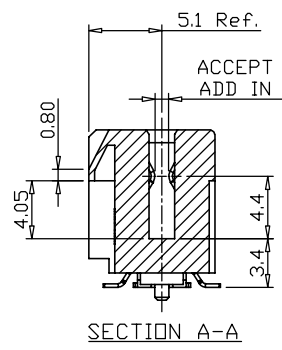
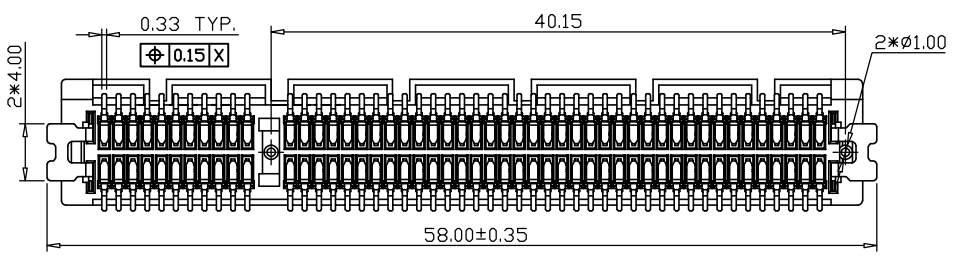


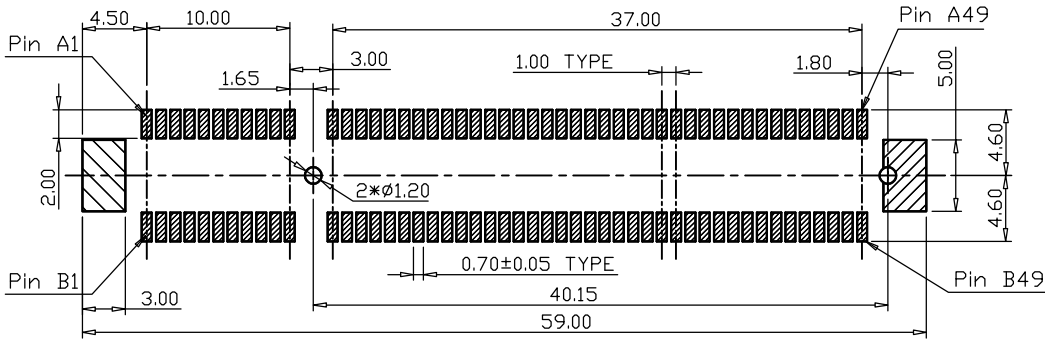
- 1.Material:
- 1.1 Housing: LCP+30% G/F, UL94V=0,COLOR: BLACK;
  - 1.2 Terminal: Phosphor Bronze,T=0.25mm; Plating: Gold in contact area; 80u" Min Tin in solder area; 30u" MIN.NICKEL UNDERPLATING OVER ALL.
  - 1.3 Latch: Copper Alloy,T=0.30mm; Plating: NICKEL UNDERPLATING OVER ALL.
- 2.Electrical Characteristics:
- 2.1 Contact Resistance: 30mΩ Max.
  - 2.2 Insulation Resistance: 1000MΩ Min.
  - 2.3 Dielectric Strength: 500V DC/1MIN.
  - 2.4 Contact Current rating: 1.1 A Per Pin Min.
- 3.Mechanical Characteristics:
- 3.1 Insertion Force: 1.15N per contact pair Max.
  - 3.2 Extraction Force: 0.15N per contact pair Min.
  - 3.3 Durability rating: 50 Cycles
- 4.Operating temperature: -25°C ~ +85°C;
- 5.ALL MATERIAL SHOULD BE FULFILLED ROHS COMPLIANT.



\*ORDER INFORMATION\*  
**EAST-098 01 X 38 XX X X**

No. of Pins: 38  
 Plating: XX  
 Environment Protection: X  
 Packing: X  
 Color: K1:Black.....

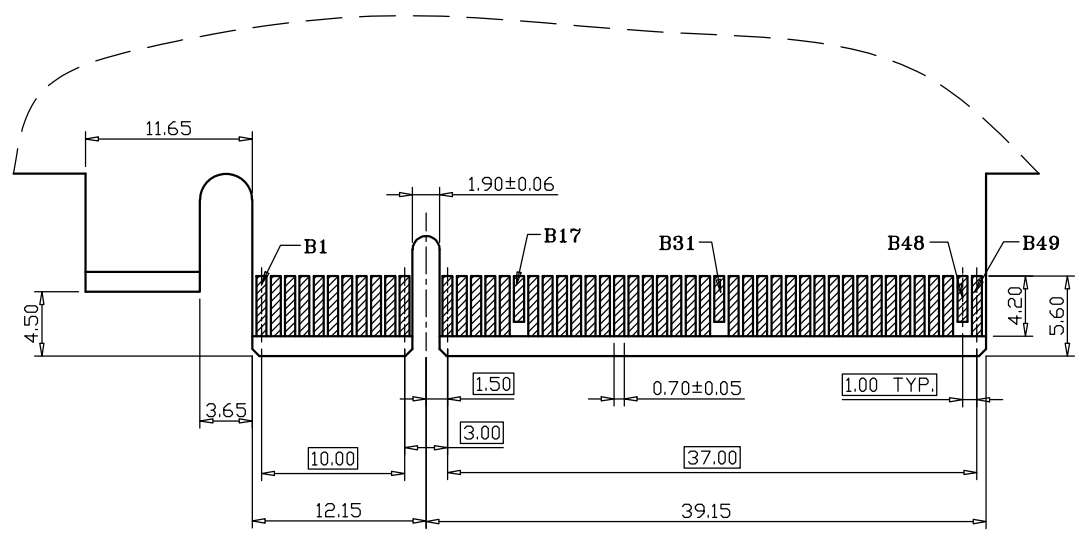
A-FlashGold in contact area/  
80u" Min Tin in solder area.  
 B-3u" Min.Gold in contact area/  
80u" Min Tin in solder area.  
 C-5u" Min.Gold in contact area/  
80u" Min Tin in solder area.  
 D-10u" Min.Gold in contact area/  
80u" Min Tin in solder area.  
 E-15u" Min.Gold in contact area/  
80u" Min Tin in solder area.  
 G-30u" Min.Gold in contact area/  
80u" Min Tin in solder area.



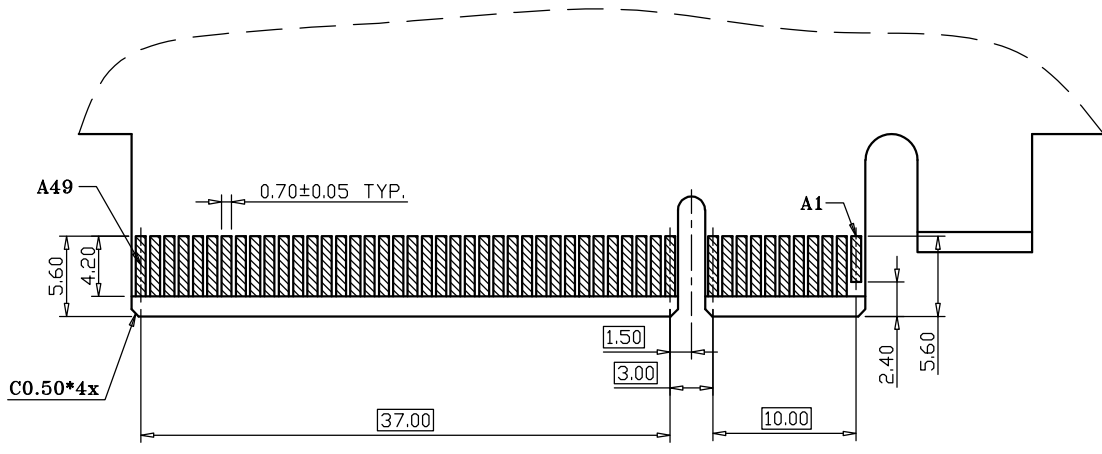
RECOMMENDED PCB LAYOUT (COMPONENT SIDE) TOLERANCE: ±0.05

TOLERANCE		深圳市东方御业科技有限公司 ShenZhen CHNEAST Technology co.,Ltd	TITLE: PCIe Gen4.0(16GT/s) 98P SMT type With Latch					
LINEAR	ANGLES		CUSTOMER COPY	PART NO.:	SEE TABLE			
X.±0.50	X°.±2.0°	DWG NO.:		EAST-09801-38				
.X±0.38	.X°±1.0°	APPD:	DRWN:	Rocky	UNITS	SCALE	SHEET	REV
.XX±0.25	.XX°±	CHKD:	DATE:	2021-12-17	MM	1:1	1 OF 3	A/0
.XXX±0.15	.XXX°±							

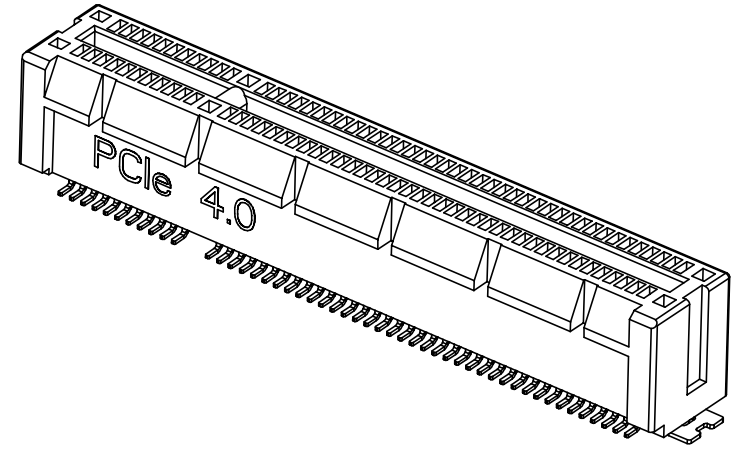
REV	LTR	DESCRIPTION	DATE	DWN
-----	-----	-------------	------	-----



RECOMMENDED EDGE CARD PATTERN(PRIMARY SIDE)

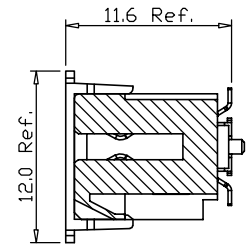
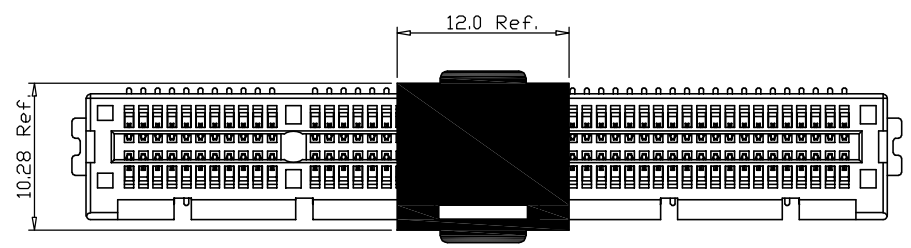


RECOMMENDED EDGE CARD PATTERN(SECONDARY SIDE)

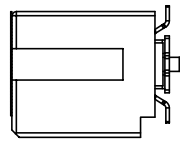
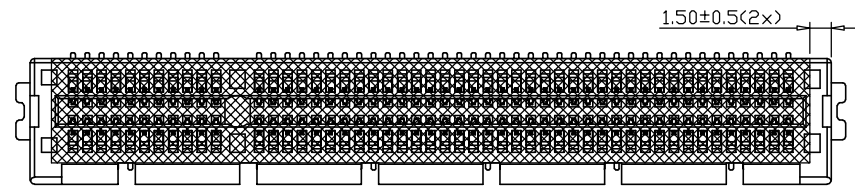


TOLERANCE		TITLE: PCIe Gen4.0(16GT/s) 98P SMT type With Latch	
LINEAR	ANGLES	深圳市东方御业科技有限公司	
X.±0.50	X°±2.0°	ShenZhen CHNEAST Technology co.,Ltd	
.X ±0.38	.X°±1.0°	CUSTOMER COPY	PART NO.: SEE TABLE
.XX ±0.25	.XX*±	DRWN: Rocky	DWG NO.: EAST-09801-38
.XXX ±0.15	.XXX*±	CHKD:	DATE: 2021-12-17
		UNITS	SCALE
		MM	1:1
		SHEET	REV
		2 OF 3	A/0

REV	LTR	DESCRIPTION	DATE	DWN
-----	-----	-------------	------	-----



With CAP



With MYLAR (Reference)

TOLERANCE		TITLE: PCIe Gen4.0(16GT/s) 98P SMT type With Latch	
LINEAR	ANGLES	深圳市东方御业科技有限公司	
X.±0.50	X°.±2.0°	ShenZhen CHNEAST Technology co.,Ltd	
.X ±0.38	.X°±1.0°	CUSTOMER COPY	PART NO.: SEE TABLE
.XX ±0.25	.XX*±	DRWN: Rocky	DWG NO.: EAST-09801-38
.XXX ±0.15	.XXX*±	CHKD:	UNITS: MM
		DATE: 2021-12-17	SCALE: 1:1
			SHEET: 3 OF 3
			REV: A/0