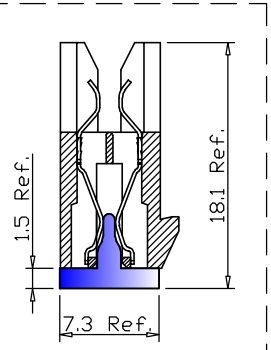
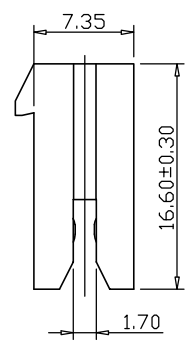
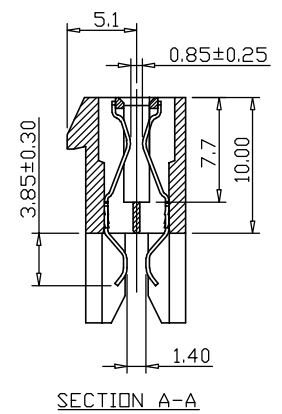
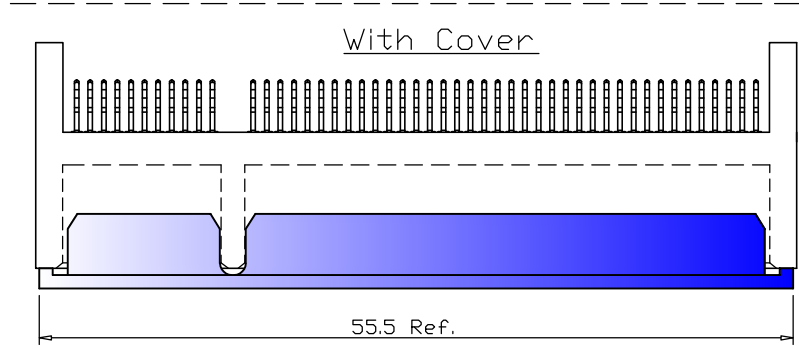
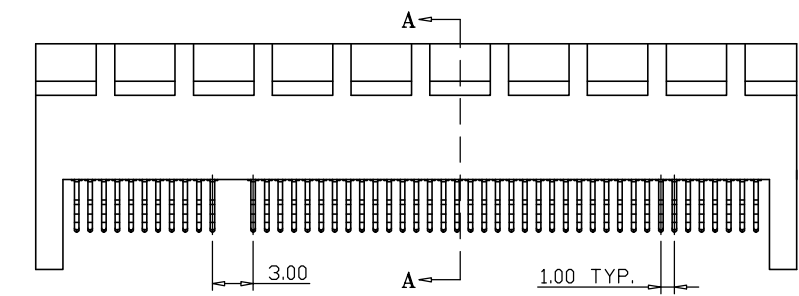
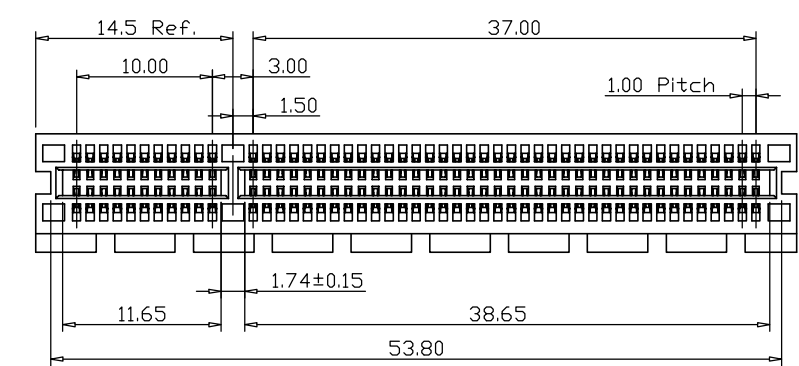
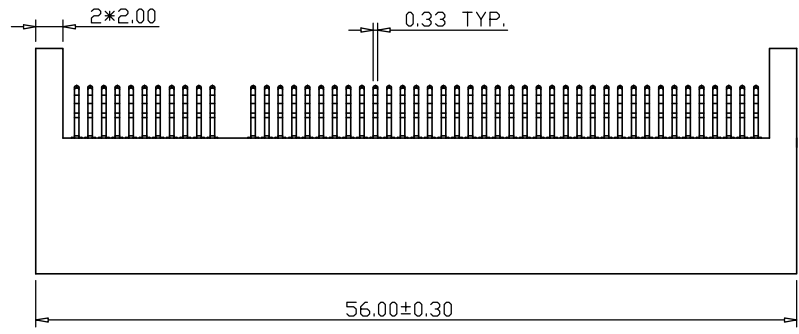


REV	LTR	DESCRIPTION	DATE	DWN
-----	-----	-------------	------	-----



**\*Material:**

- 1.Housing: LCP+30%G/F,UL94 V-0;
- 2.Terminal: Brass,T=0.25mm;
- Plating: Gold in contact area;
- 80u" Min Tin in solder area;
- 30u" MIN.NICKEL UNDERPLATING OVER ALL.

**\*Electrical Characteristics:**

- 1:Contact Resistance: 30mΩ Max.
- 2:Insulation Resistance: 1000MΩ Min.
- 3:Dielectric Strength: 500V DC/1MIN.
- 4.Contact Current rating: 1.1 A Per Pin Min.

**\*Mechanical Characteristics:**

- 1:Insertion Force: 1.15N per contact pair Max.
- 2:Extraction Force: 0.15N per contact pair Min.
- 3.Durability rating: 50 Cycles

**\*TEMPERATURE RANGE:-25°C to +85°C**

**\*ORDER INFORMATION:\***

EAST-098 01 X XX K1 X R

No. of Pins: \_\_\_\_\_

Plating: \_\_\_\_\_

A-Flash:Gold in contact area/  
80u" Min Tin in solder area.

B-3u" Min:Gold in contact area/  
80u" Min Tin in solder area.

C-5u" Min:Gold in contact area/  
80u" Min Tin in solder area.

D-10u" Min:Gold in contact area/  
80u" Min Tin in solder area.

E-15u" Min:Gold in contact area/  
80u" Min Tin in solder area.

Flow Code: \_\_\_\_\_

Environment Protection:  
R for RoHS  
G for GP  
H for Halogen-free

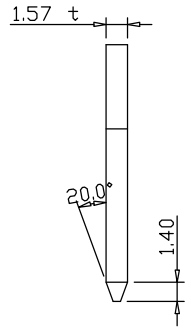
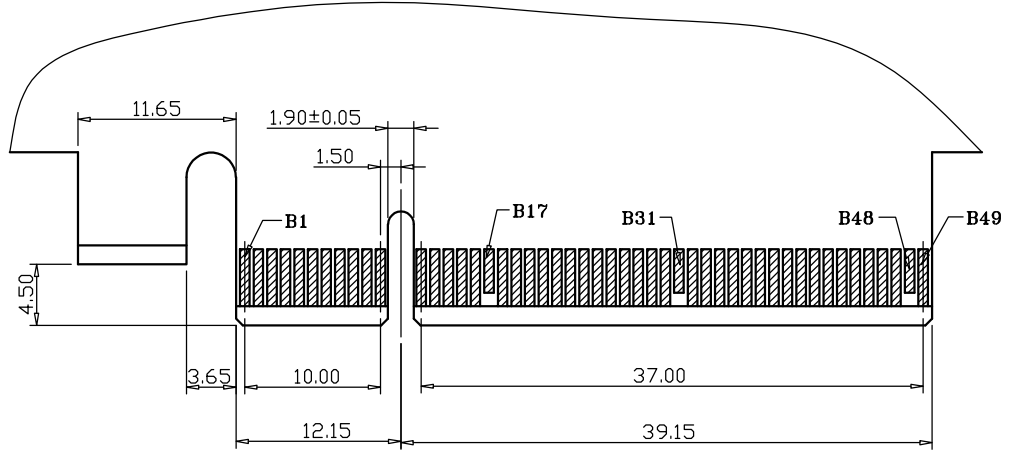
Packing:  
A-Tube ,C-Tray ,E-Box

Color:  
K1:Black.....

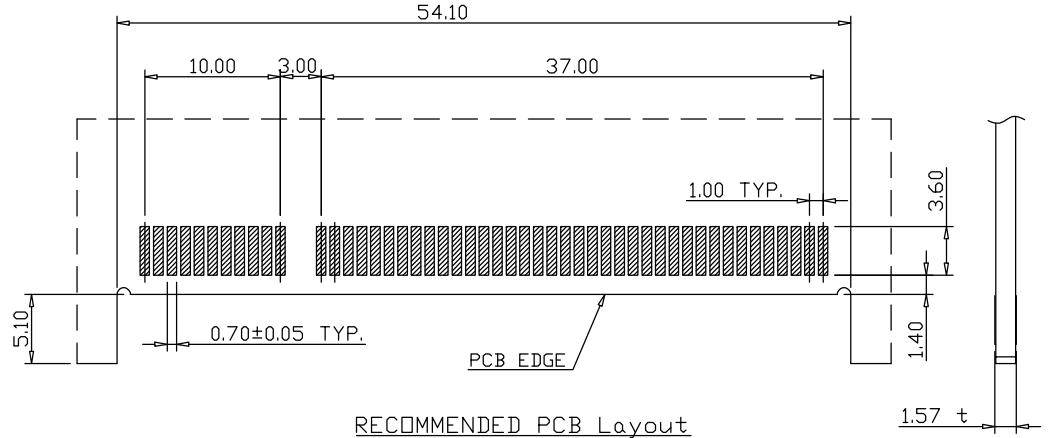
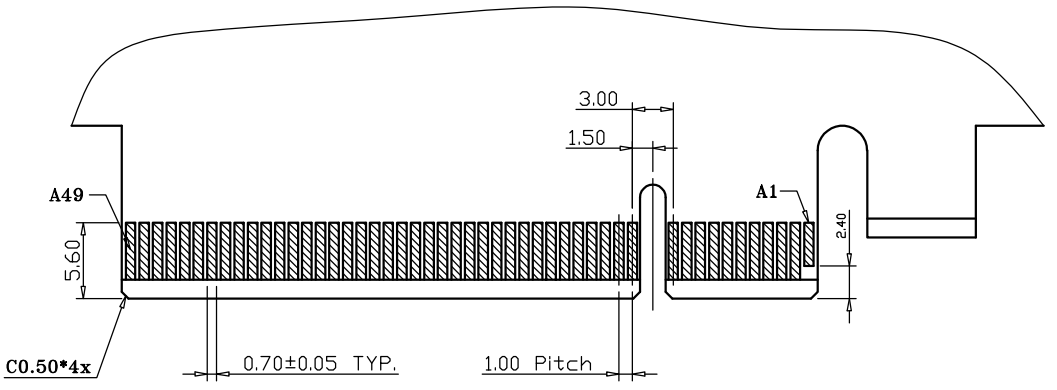
No.	PART No.	P.C.B & T	后塞选项
1	EAST-09801X24XXXX	T=1.60mm	无后塞
2	EAST-09801X27XXXX	T=1.60mm	装后塞

TOLERANCE		深圳市东方御业科技有限公司 Tel:0755-27155560 WWW.DFYCONN.COM	TITLE: PCIe 98P Slot 夹板式 二侧带卡位(夹板1.6T)					
LINEAR	ANGLES		CUSTOMER	PART NO.:	DWG NO.:	REV		
X.±0.50	X*±2.0°	APPD: DRWN: Rocky	CDPY	EAST-09801-24	UNITS	SCALE	SHEET	REV
.X ±0.38	.X*±1.0°				MM	1:1	1 OF 2	0.1
.XX ±0.25	.XX*±	CHKD:	DATE: 2017-4-25					
.XXX ±0.15	.XXX*±							

REV	LTR	DESCRIPTION	DATE	DWN
-----	-----	-------------	------	-----



RECOMMENDED EDGE CARD PATTERN<PRIMARY SIDE>



RECOMMENDED PCB Layout  
Tolerance: ±0.05

RECOMMENDED EDGE CARD PATTERN<SECONDARY SIDE>

TOLERANCE		深圳市东方御业科技有限公司 Tel:0755-27155560 WWW.DFYCONN.COM	TITLE: PCIe 98P Slot夹板式 二侧带卡位(夹板1.6T)			
LINEAR	ANGLES		CUSTOMER COPY	PART NO.:	UNITS	SCALE
X.±0.50	X*.±2.0°	APPD: CHKD:	DRWN: Rocky DATE: 2017-4-25	DWG NO.:	SHEET	
.X ±0.38	.X*±1.0°			EAST-09801-24	REV	
.XX ±0.25	.XX*±			MM	1:1	
.XXX ±0.15	.XXX*±			2 OF 2	0.1	