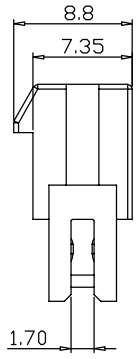
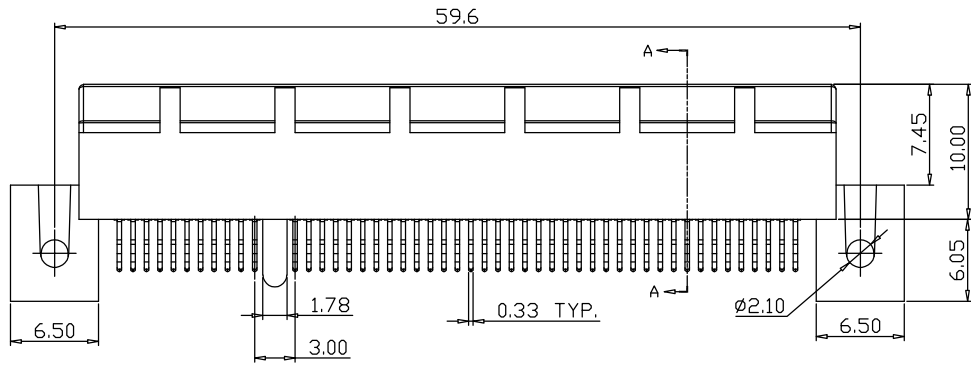


- NOTES:
- Electrical characteristics:
    - Current rating: 1.1 AMP per contact;
    - Insulation resistance: 1000 Megohms at 500V DC Min;
    - Contact resistance: 30 milliohms Max (initial);
  - Mechanical characteristics:
    - Insertion force: 1.15N Max per contact pair;
    - Withdrawal force: 0.15N Min per contact pair;
  - Environmental:
 

TEMPERATURE RANGE: -55°C to +85°C
  - Materials:
    - Housing: LCP+30% G/F, UL94 V-0;
    - contact: Copper Alloy;
      - plating: Gold plating on contact area;
      - Tin on solder area;
      - Nickel underplating over all.



**\*ORDER INFORMATION:\***

EAST-098 01 X XX K1 X X

No. of Pins: \_\_\_\_\_

Plating: \_\_\_\_\_

Environment Protection:  
 R for RoHS  
 G for GP  
 H for Halogen-free

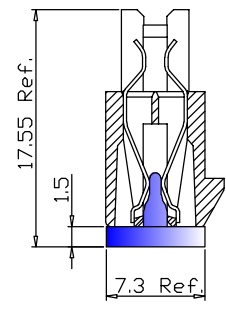
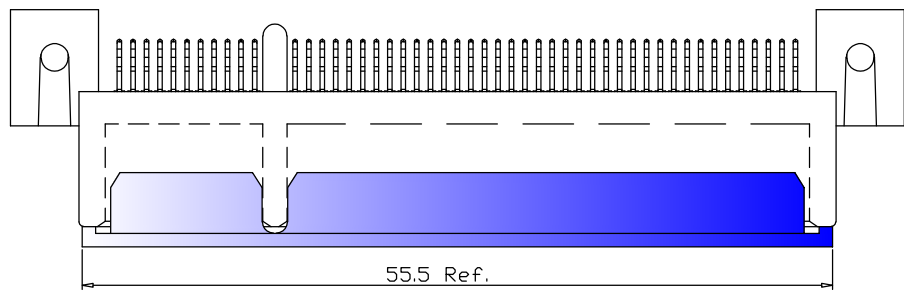
Packing:  
 A-Tube ,C-Tray ,E-Box

Color:  
 K1:Black , L1: White  
 .....

Flow Code: \_\_\_\_\_

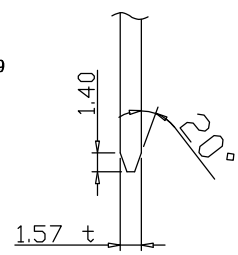
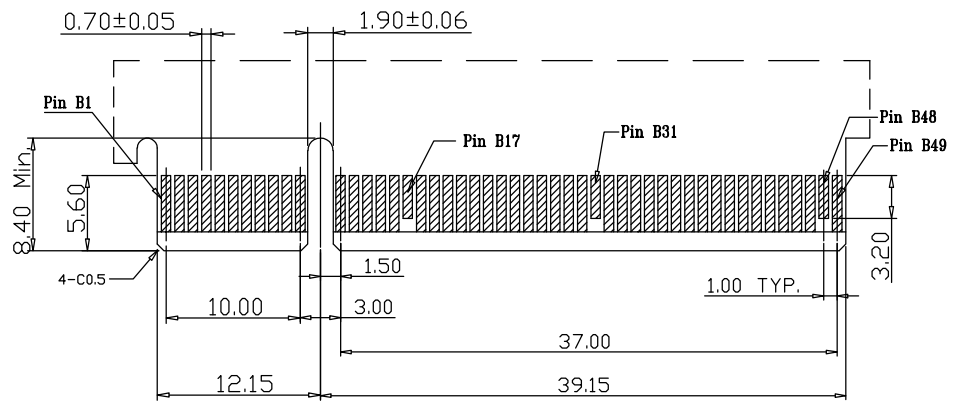
No.	PART No.	P.C.B & T	后塞选项
1	EAST-09801X03XXXX	T=1.60mm	无后塞
2	EAST-09801X29XXXX	T=1.60mm	装后塞

WITH CAP

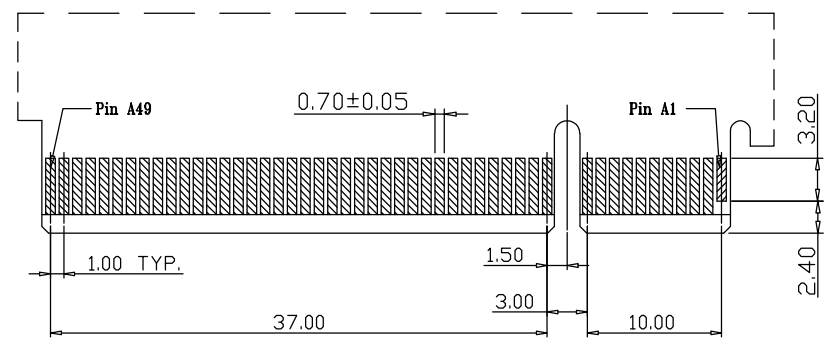


TOLERANCE		深圳市东方御业科技有限公司 www.DFYCONN.COM Tel:0755-27155560	TITLE: PCIe 98P 小夹角夹板式 有耳有柱	
LINEAR	ANGLES		CUSTOMER COPY	PART NO.(Old): DWG NO.(Old): RED-EB-038
.X±0.50	.X°±2.0°	APPD:	DRWN: Rocky	UNITS SCALE SHEET REV MM 1:1 1 OF 2 0.1
.XX±0.38	.XX°±1.0°	CHKD:	DATE: 2012-3-15	
.XX±0.25	.XX°±			
.XXX±0.15	.XXX°±			

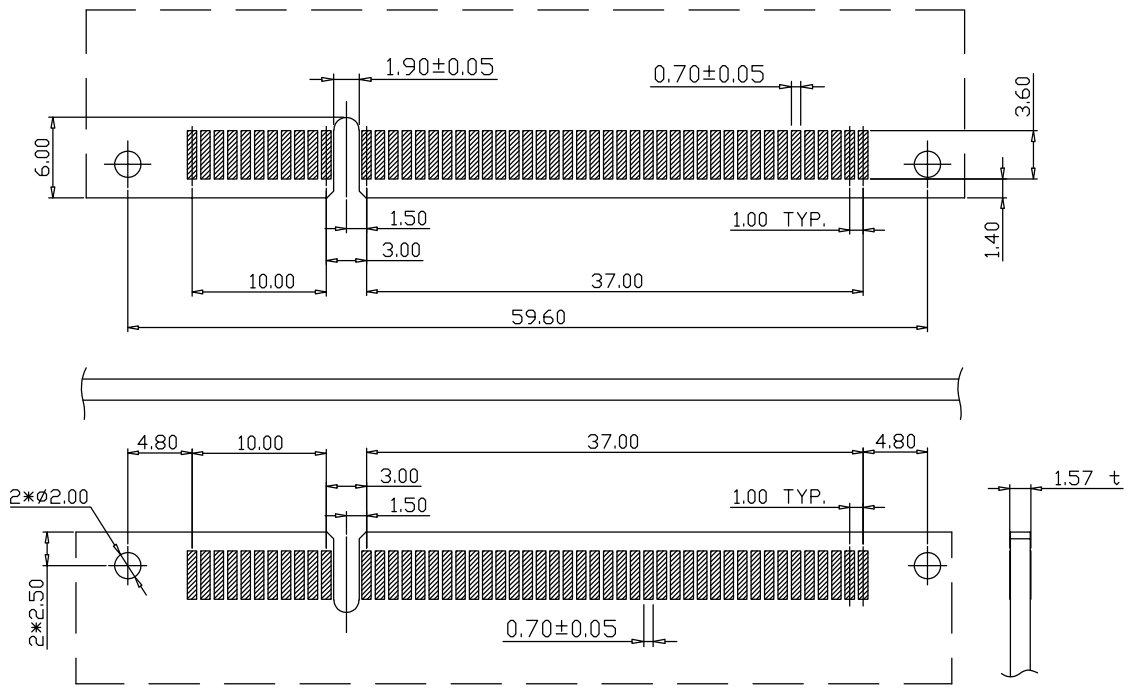
REV	LTR	DESCRIPTION	DATE	DWN
-----	-----	-------------	------	-----



PRIMARY (COMPONENT) SIDE



SECONDARY (SOLDER) SIDE



RECOMMENDED PCB LAYOUT TOLERANCE: ±0.05

TOLERANCE		TITLE: PCIe 98P 小夹角夹板式 有耳有柱	
LINEAR	ANGLES	深圳市东方御业科技有限公司	
X.±0.50	X°.±2.0°	www.DFYCONN.COM Tel:0755-27155560	
.X±0.38	.X°±1.0°	CUSTOMER COPY	PART NO.(Dld):
.XX±0.25	.XX°±	DRWN: Rocky	DWG NO.(Dld): RED-EB-038
.XXX±0.15	.XXX°±	CHKD:	UNITS SCALE SHEET REV
		DATE: 2012-3-15	MM 1:1 2 OF 2 0.1