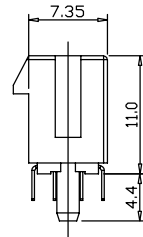
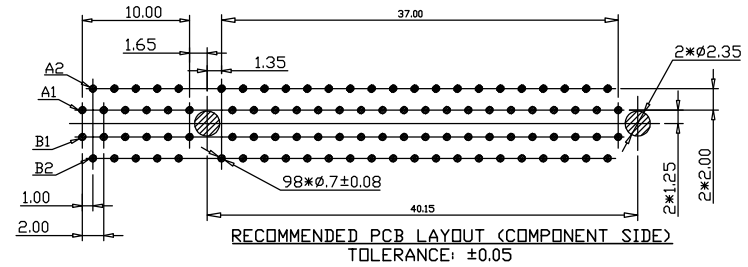


SECTION A-A



REV	LTR	DESCRIPTION	DATE	DWN
-----	-----	-------------	------	-----



*Material:

- 1.Housing: LCP+30%G/F,UL94 V-0, Color:Black;
- 2.Terminal: Brass,T=0.25mm;
- Plating: Gold in contact area;
- 80u" Min Tin in solder area;
- 30u" MIN.NICKEL UNDERPLATING OVER ALL.

*Electrical Characteristics:

- 1:Contact Resistance: 30mΩ Max.
- 2:Insulation Resistance: 100MΩ Min.
- 3:Dielectric Strength: 500V DC/1MIN.
- 4.Contact Current rating: 1.1 A Per Pin Min.

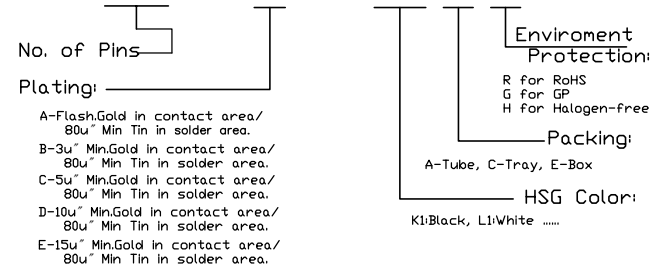
*Mechanical Characteristics:

- 1:Insertion Force: 1.15N per contact pair Max.
- 2:Extraction Force: 0.15N per contact pair Min.
- 3.Durability rating: 50 Cycles

*Deflection Temperature: 255°C

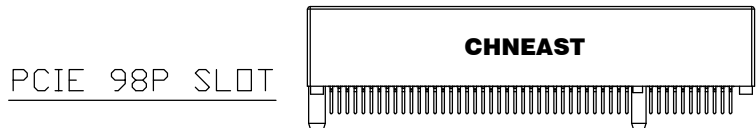
ORDER INFORMATION:

EAST-098 01 X 05 K1 E R

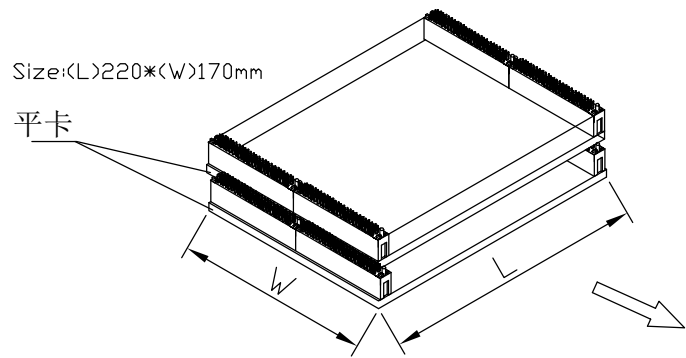


TOLERANCE		深圳市东方御业科技有限公司 Tel:0755-27155560 WWW.DFYCONN.COM		TITLE: PCIe 98P 传统型导柱式DIP型				
LINEAR	ANGLES			PART NO.: SEE TABLE				
X.±0.50	X°.±2.0°			DWG NO.: RED-EB-019				
.X±0.38	.X°±1.0°	APPD:	DRWN: Rocky		UNITS	SCALE	SHEET	REV
.XX±0.25	.XX°±	CHKD:	DATE: 2014-4-16		MM	1:1	1 OF 1	A/0
.XXX±0.15	.XXX°±							

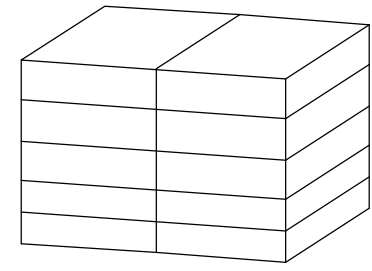
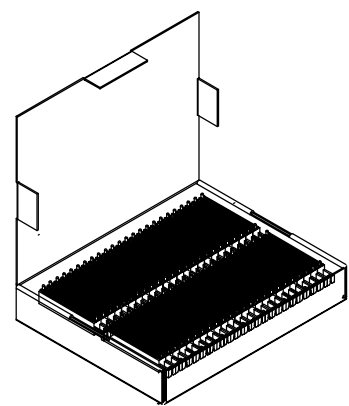
1-1 如图所示将产品摆放在平卡上



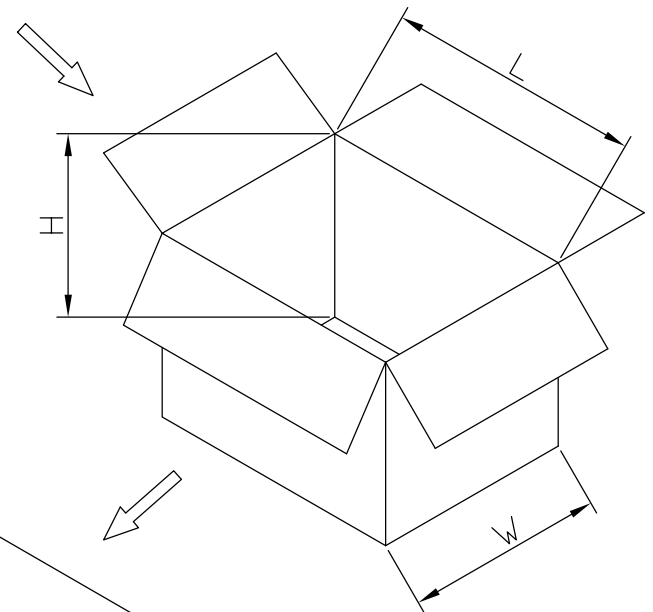
1-2 每层摆放3排，每排摆放25PCS
75CS/层



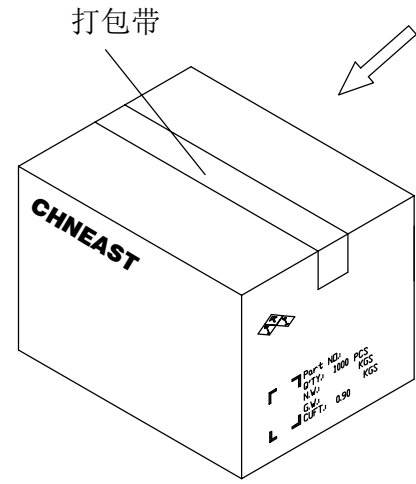
1-3 每盒摆放2层，每层摆放75PCS
150PCS/盒



1-4 每箱装12盒（共二叠，每叠6层）
共计：1800PCS/箱



Size:(L)368*(W)225*(H)250mm



- 1-5 纸箱开口处以透明胶带粘合；
- 1-6 若有未装满之尾数箱，必须以填充物塞满；
- 1-7 纸箱侧唛贴上标签

啤盒

TOLERANCE	
LINEAR	ANGLES
X.±0.50	X°.±2.0°
.X ±0.30	.X°±1.0°
.XX ±0.20	.XX°±
.XXX ±0.05	.XXX°±

深圳市东方御业科技有限公司
TEL: 0755-27155560 WWW.DFYCONN.COM

APPD: DRWN: Rocky
CHKD: DATE: 2012-8-2

TITLE: PCIe 98P 传统型导柱式DIP型 DIP=2.50mm			
PART NO.			
DWG NO.(Old): RED-EA-002			
UNITS	SCALE	SHEET	REV
MM	1:1	1 OF 1	A/0

Size:(L)210*(W)175*(H)43mm