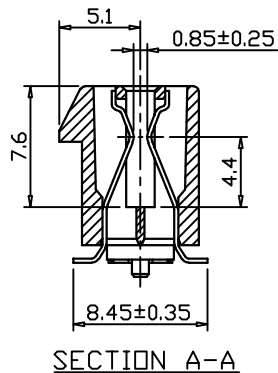
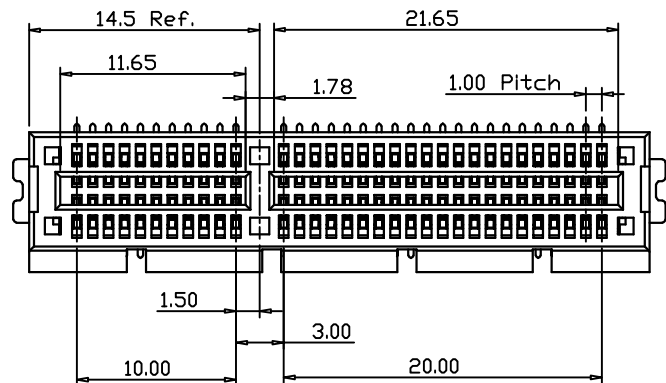


| | | | | | | | |
|-----|-----|-------------|---|---|---|------|-----|
| 1 | 2 | 3 | 4 | 5 | 6 | 7 | 8 |
| REV | LTR | DESCRIPTION | | | | DATE | DWN |



***Material:**

- 1.Housing: LCP+30% G/F, UL94V-0,COLOR: BLACK,;
- 2.Terminal: Phosphor Bronze,T=0.25mm;
Plating: Gold Plating on contact area;
80u" Matte Tin on solder area;
Both over 30u" MIN.NICKEL UNDER-PLATING OVER ALL.
- 3.Latch: Brass,T=0.30mm;
Plating: 80u" Matte Tin on Solder area,
30u" NICKEL UNDER PLATING OVER ALL.

***Electrical Characteristics:**

- 1>Contact Resistance: 30mΩ Max.
- 2:Insulation Resistance: 1000MΩ Min.
- 3:Dielectric Strength: 500V DC/1MIN.
- 4.Contact Current rating: 1.1 A Per Pin Min.

***Mechanical Characteristics:**

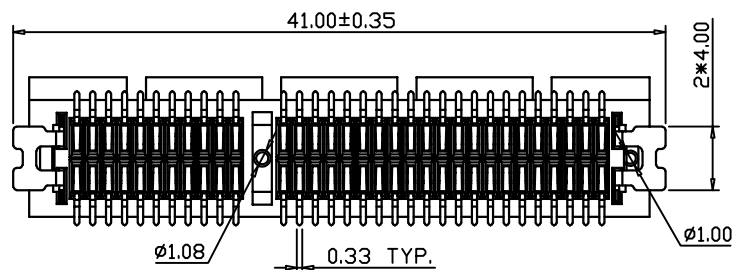
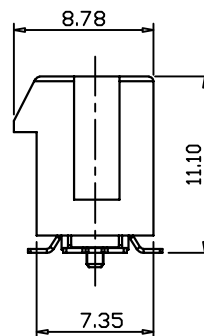
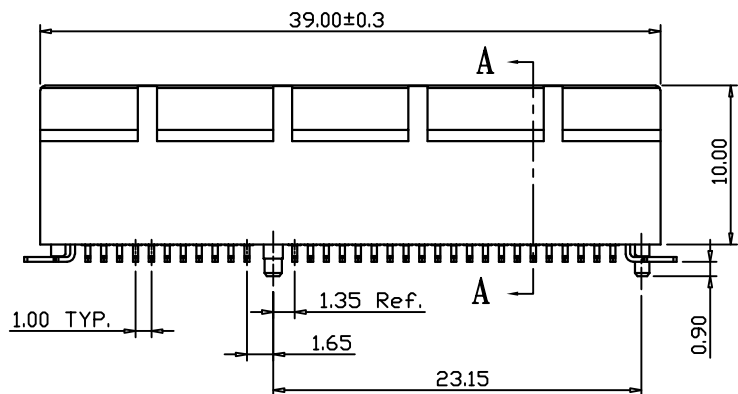
- 1:Insertion Force: 1.15N per contact pair Max.
- 2:Extraction Force: 0.15N per contact pair Min.
- 3.Durability rating:50 Cycles

ORDER INFORMATION:

EAST-064 01 X 18 K1 A X
 No. of Pins ———— Environment Protection:

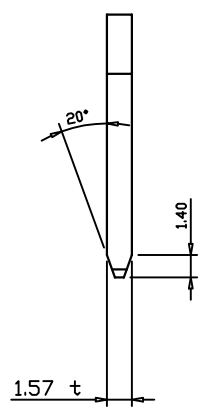
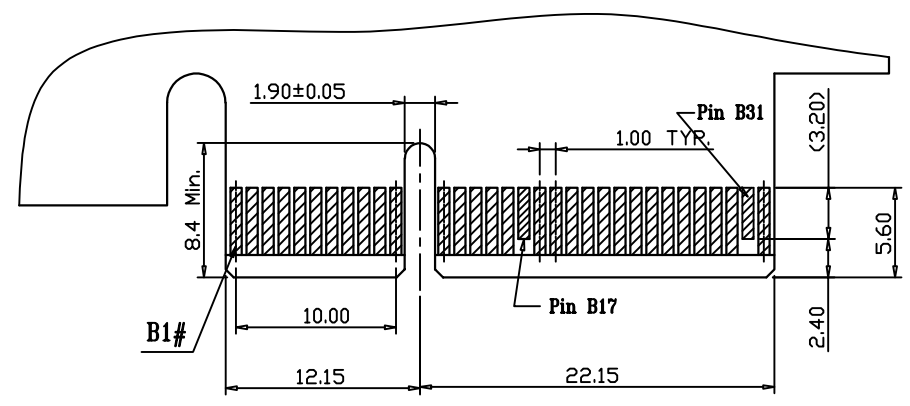
Plating: ———— Packing:
 R for RoHS
 G for GP
 H for Halogen-free

- A-Flash,Gold in contact area/
80u" Min Tin in solder area.
 - B-3u" Min,Gold in contact area/
80u" Min Tin in solder area.
 - C-5u" Min,Gold in contact area/
80u" Min Tin in solder area.
 - D-10u" Min,Gold in contact area/
80u" Min Tin in solder area.
 - E-15u" Min,Gold in contact area/
80u" Min Tin in solder area.
 - G-30u" Min,Gold in contact area/
80u" Min Tin in solder area.
- Color:
 K1:Black, L1:White

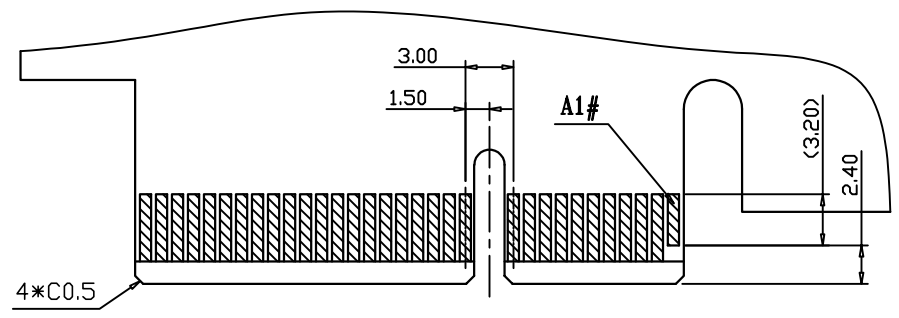


| TOLERANCE | | 深圳市东方御业科技有限公司 Tel:0755-27155560 E-nalikkfeast@163.com | TITLE: PCIe 64P Vertical SMT type with Latch | | | | |
|------------|----------|--|--|-----------|-----------|----------|-----|
| LINEAR | ANGLES | | CUSTOMER COPY | PART NO.: | SEE TABLE | DWG NO.: | |
| X.±0.50 | X*.±2.0* | APPD: | DRWN: Rocky | UNITS | SCALE | SHEET | REV |
| .X ±0.38 | .X*±1.0* | | | | | | |
| .XX ±0.25 | .XX*± | CHKD: | | | | | |
| .XXX ±0.15 | .XXX*± | | | | | | |

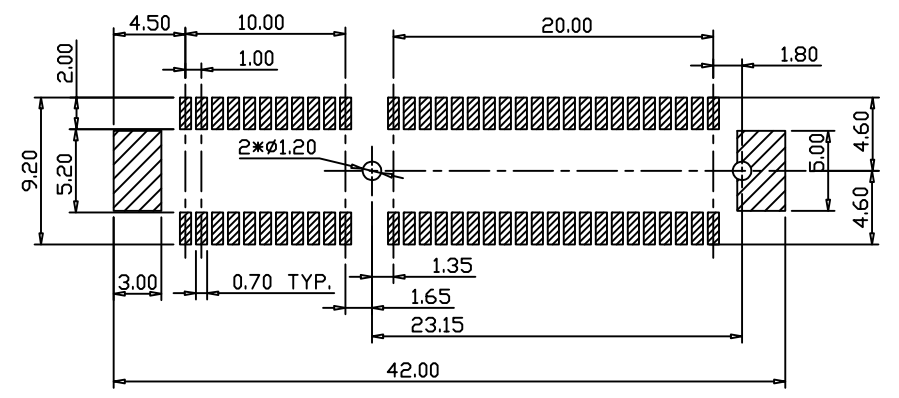
| | | | | |
|-----|-----|-------------|------|-----|
| REV | LTR | DESCRIPTION | DATE | DWN |
|-----|-----|-------------|------|-----|



RECOMMENDED EDGE CARD PATTERN(PRIMARY SIDE)



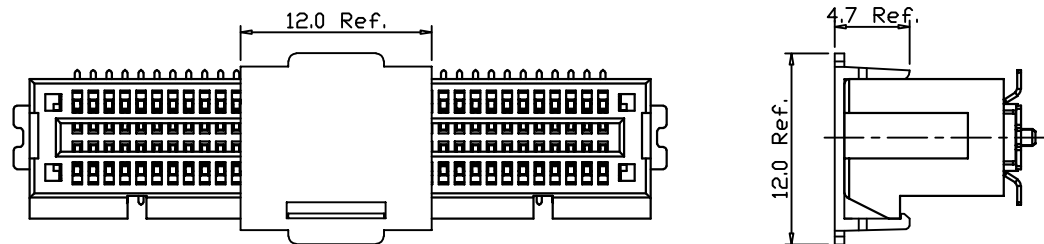
RECOMMENDED EDGE CARD PATTERN(SECONDARY SIDE)



RECOMMENDED PCB LAYOUT
(COMPONENT SIDE) TOLERANCE: ±0.05

| TOLERANCE | | TITLE: PCIe 64P Vertical SMT type with Latch | |
|------------|----------|--|------------------------|
| LINEAR | ANGLES | 深圳市东方御业科技有限公司 | |
| X.±0.50 | X*.±2.0° | Tel:0755-27155560 E-mail:kfeast@163.com | |
| .X ±0.38 | .X*±1.0° | CUSTOMER COPY | PART NO.: SEE TABLE |
| .XX ±0.25 | .XX*± | DRWN: Rocky | DWG NO.: EAST-06401-18 |
| .XXX ±0.15 | .XXX*± | APPD: | DATE: 2014-5-27 |
| | | CHKD: | UNITS: MM |
| | | | SCALE: 1:1 |
| | | | SHEET: 2 OF 3 |
| | | | REV: A/0 |

| | | | | | | | |
|-----|-----|-------------|---|---|---|------|-----|
| 1 | 2 | 3 | 4 | 5 | 6 | 7 | 8 |
| REV | LTR | DESCRIPTION | | | | DATE | DWN |



With CAP

| TOLERANCE | | 深圳市东方御业科技有限公司 | | TITLE: PCIe 64P Vertical SMT type with Latch | | | |
|------------|----------|---|-----------------|--|-----------|---------------|-------|
| LINEAR | ANGLES | Tel:0755-27155560 E-mail:kfeast@163.com | | CUSTOMER COPY | PART NO.: | SEE TABLE | |
| X.±0.50 | X°±2.0° | APPD: | DRWN: Rocky | | DWG NO.: | EAST-06401-18 | |
| .X ±0.38 | .X°±1.0° | CHKD: | DATE: 2014-5-27 | | UNITS | SCALE | SHEET |
| .XX ±0.25 | .XX°± | | | MM | 1:1 | 3 OF 3 | A/0 |
| .XXX ±0.15 | .XXX°± | | | | | | |