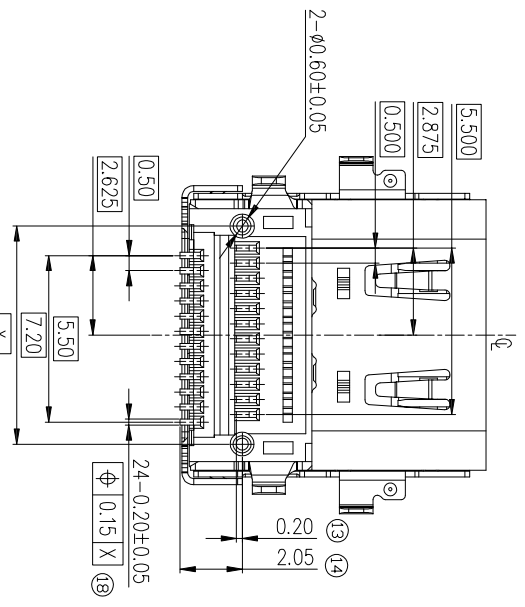
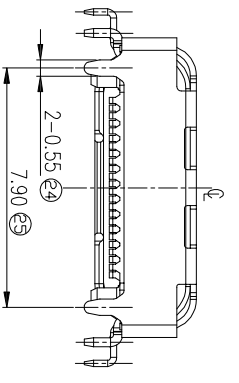
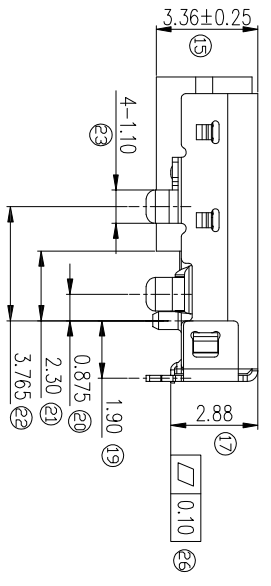
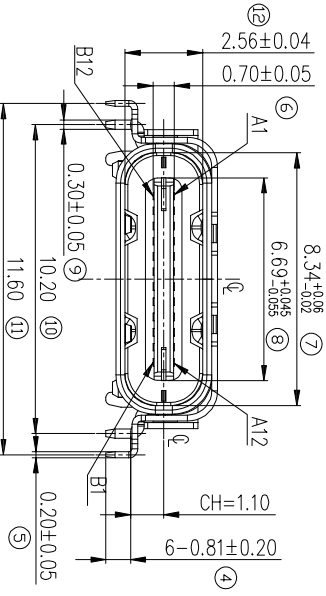
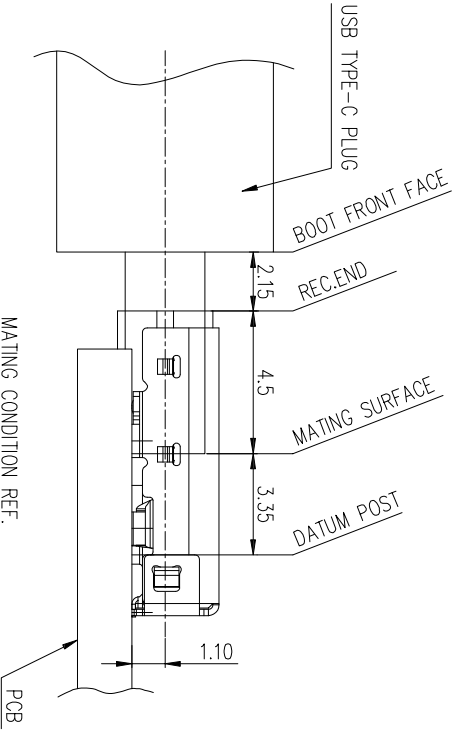
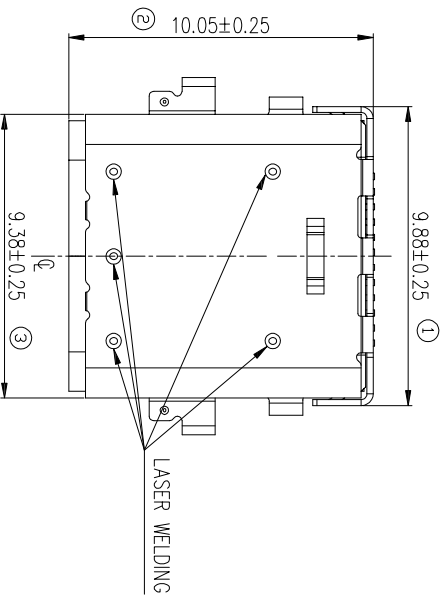
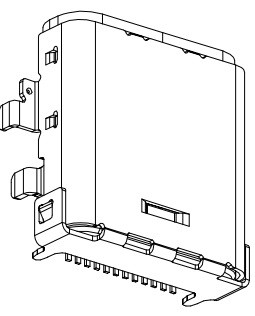


REV.	ECN NO.	MODIFY MATTER	DATE	APPROVED
A		RELEASE TO PRODUCTION		



NO.	PART NAME	MATERIAL	FINISH	Q'TY
7	OUTER SHELL	STAINLESS STEEL	50U"NI ALL OVER	1
6	INNER SHELL	STAINLESS STEEL	50U"NI ALL OVER	1
5	MID PLATE	STAINLESS STEEL	50U"NI ALL OVER	1
4	GND PLATE	STAINLESS STEEL	CLEAN	1
3	BOTTOM CONTACTS	COPPER ALLOY	50U"NI ALL OVER/AU SEE NOTES MATTE TIN 80U" IN SOLDER TAIL	12
2	TOP CONTACTS			12
1	HOUSING	LCP	BLACK, UL 94V-0	1

TOLERANCES UNLESS OTHERWISE SPECIFIED:		CUSTOMER COPY	
X	± 0.38	深圳市东方御业科技有限公司 www.dfyycdnn.com TEL:0755-27155560	
X.X	± 0.25		
X.XX	± 0.10		
X.XXX	± 1°		
Angle	± 1°	CHECKED: CHENLEI	DATE: 2017/09/10
APPROVED: QINXIAOXING		DATE: 2017/09/10	PART NO.: EAST-UTC24SD110-X
SPECIFICATION ARE THE PROPERTY OF Shenzhen Dongfangyue Electronic Co., Ltd. SHALL NOT BE REPRODUCED.		SCALE: N/A	SHEET: 1:1



A

B

C

D

E

F

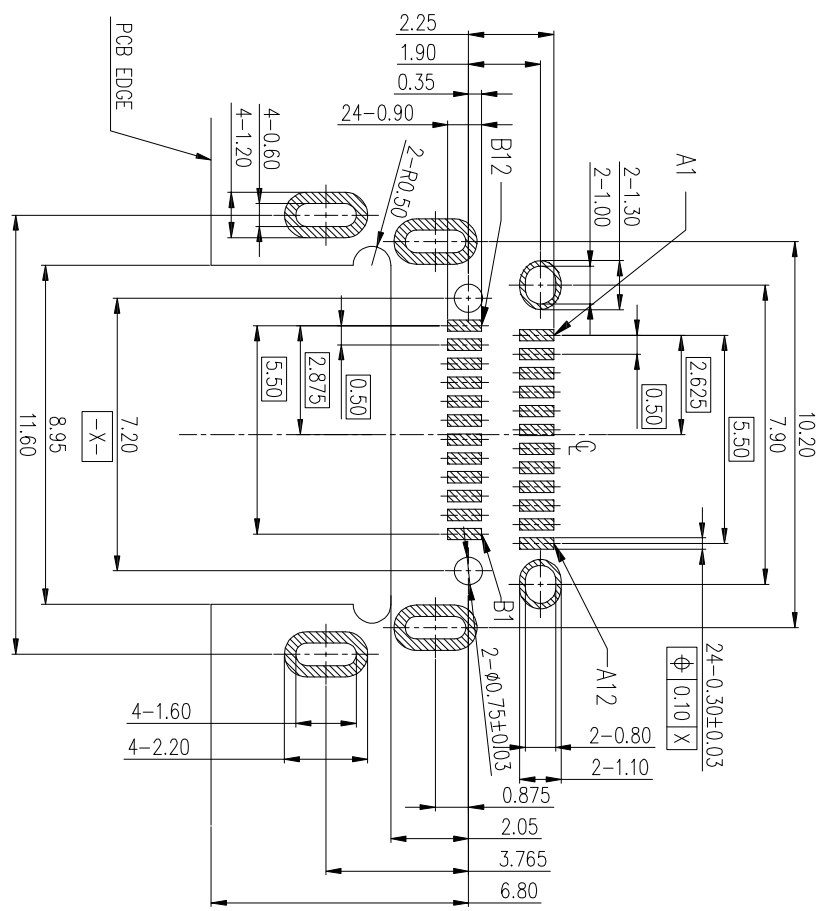
8 7 6 5 4 3 2 1

REV.	ECN NO.	MODIFY MATTER	DATE	APPROVED
A		RELEASE TO PRODUCTION		

NOTES:
 1. ELECTRICAL :
 1-1.CONTACT CURRENT RATING :
 5.0A FOR VBUS AND GND.
 (ie, Pins A4,A9,B4,B9)
 1.25A FOR Yeom AND GND.
 (ie, Pins B5,A1,A12,B1,B12)

1-2.INSULATION RESISTANCE :
 100 MEGAOHMS MIN. AT 250VDC.
 1-3.DIELECTRIC WITHSTANDING VOLTAGE :
 100VAC MIN.
 1-4.LOW LEVEL CONTACT RESISTANCE :
 INITIAL 40mΩ MAX.
 AFTER 50mΩ MAX.

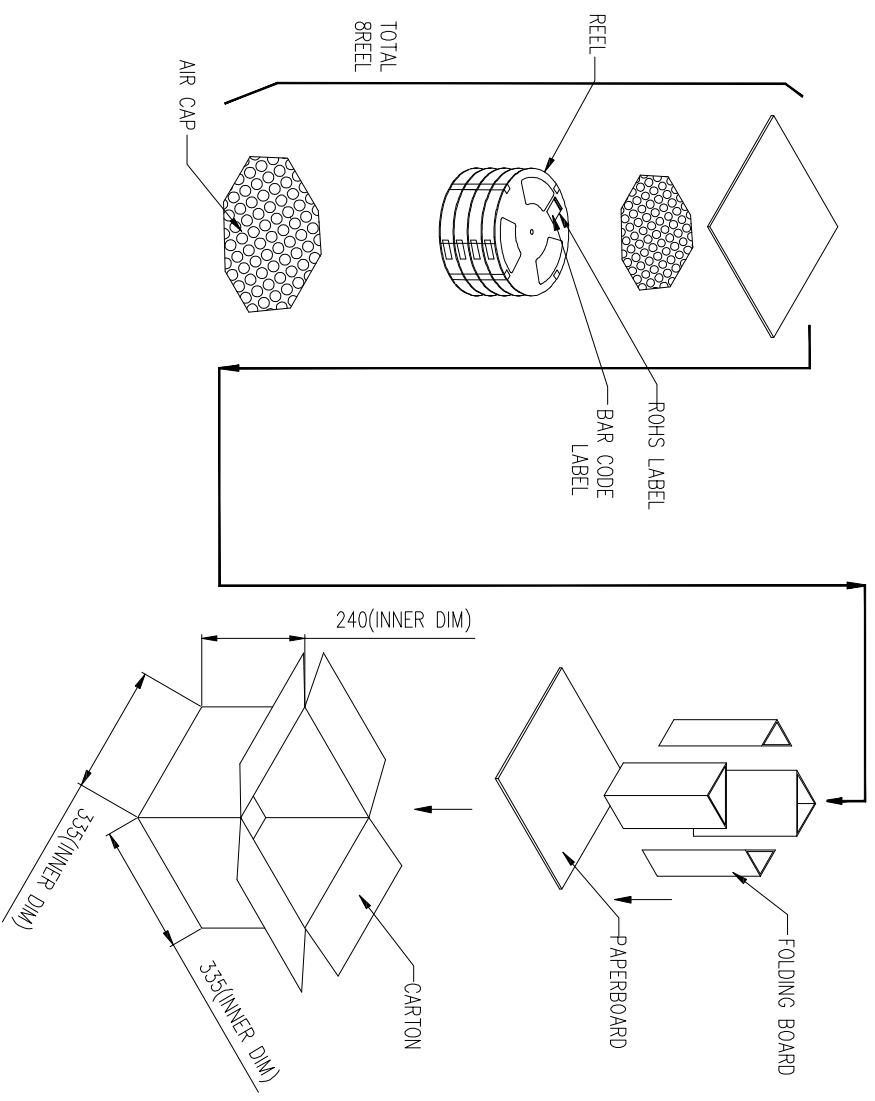
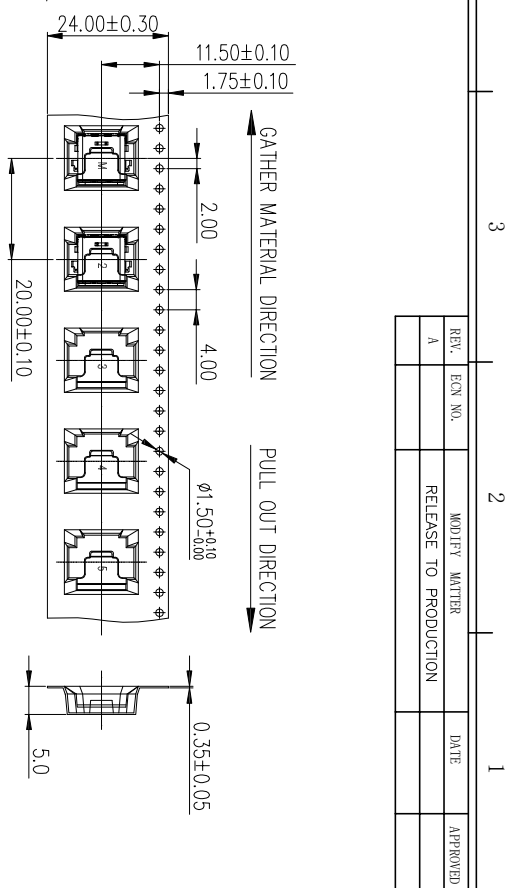
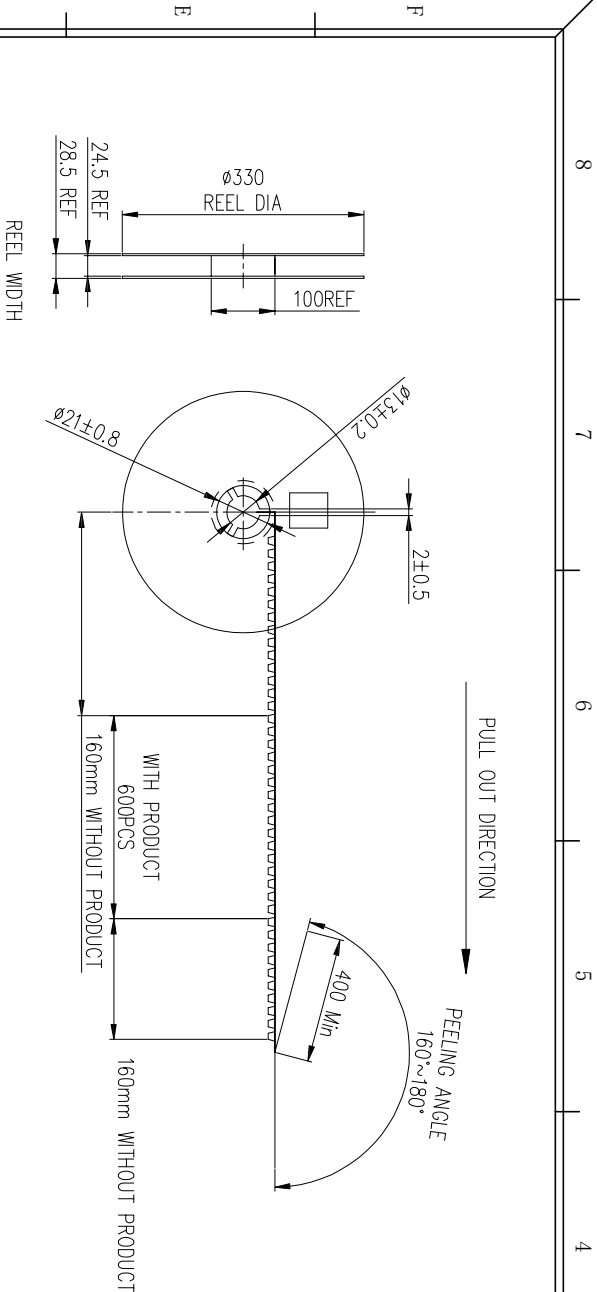
2.MECHANICAL CHARACTERISTICS :
 2-1.INSERTION FORCE : 5N~20N .
 2-2.EXTRACTION FORCE :
 8N~20N FROM 1 TO 1000 CYCLES.
 6~20N FROM 1001 TO 10000 CYCLE.
 2-3.DURABILITY : 10,000 MATING CYCLES.
 2-4.OPERATING TEMPERATURE : -55°C TO +85°C
 3. REFLOW SOLDER CAPABLE TO 260°C 10 SECONDS.
 4. PART NUMBER DESCRIPTION:



RECOMMENED P.C.B LAYOUT
 TOLERFRANCE: ±0.05

TOLERANCES UNLESS OTHERWISE SPECIFIED: X. X. X. X. XXX Angle		± 0.38 ± 0.25 ± 0.10 ± 1°	
THESE DRAWING AND SPECIFICATION ARE THE PROPERTY OF Shenzhen Dongfangyue ELECTRONIC CO., LTD. SHALL NOT BE REPRODUCED.			
CUSTOMER COPY	DEPT: CHENLEI	DATE: 2017/09/10	SCALE: N/A
PREPARED: CHENLEI	CHECKED: CHENLEI	DATE: 2017/09/10	SCALE: N/A
APPROVED: QINMAIXING	CHECKED: CHENLEI	DATE: 2017/09/10	SCALE: N/A
PART NO.: EAST-UTC24SD110-X		SHEET: 1:1	
TITILE: USB TYPE C (C.H=1.10mm)		REV:	
www.dfyy.com.cn			
TEL:0755-27155560			
深圳市东方御业科技有限公司			

REV.	ECN NO.	MODIFY MATTER	DATE	APPROVED
A		RELEASE TO PRODUCTION		



600	8	4800	EAST-UTC24SD110-X
PCS/ REEL	REEL/ BOX	PCS/ BOX	PART NUMBER

TOLERANCES UNLESS OTHERWISE SPECIFIED:		COSTOMER COPY	
X	± 0.38	DRAWN: CHENLEI	
X.X	± 0.25	CHECKED: CHENLEI	
X.XX	± 0.10	APPROVED: QINXIAOXING	
X.XXX	± 1°	DATE: 2017/09/10	
Angle		DATE: 2017/09/10	
THESE DRAWING AND SPECIFICATION ARE THE PROPERTY OF Shenzhen Dongfangyue Electronic Co., Ltd. SHALL NOT BE REPRODUCED.			
深圳市东方御业科技有限公司 WWW.DFYCDNN.COM TEL:0755-27155560		PART NO.: EAST-UTC24SD110-X (REHS)	
USB TYPE C (C,H=1.10mm)		DATE: 2017/09/10	
SCALE: N/A		SHEET: 1:1	