

REV.	ECN NO.	MODIFY MATTER	DATE	APPROVED
A		RELEASE TO PRODUCTION		



NOTE:

1.MATERIAL:

- 1.1 INSULATOR: HIGH TEMPERATURE PLASTIC UL 94 V-0;
- 1.2 CONTACT: COPPER ALLOY
- 1.3 SHELL:STAINLESS STEEL

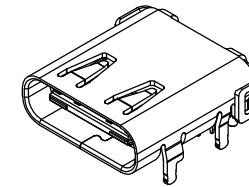
2.ELECTRICAL CHARACTERISTICS:

- 2.1 CONTACT RESISTANCE: 40mΩ Max FOR INITIAL. 10mΩ CHANGE AFTER TEST. MEASURE AT 20mV, 100mA.
- 2.2 CONTACT CURRENT RATING: 5A FOR VBUS PIN; 1.25A FOR VCONN PIN.

- 2.3 DIELECTRIC WITHSTANDING VOLTAGE: 100V AC R.M.S.
- 2.4 INSULATION RESISTANCE 100MΩ Min
- 2.5 OPERATING TEMPERATURE: -40°C ~ 85°C

3 MECHANICAL CHARACTERISTICS:

- 3.1 MATING FORCE: 5~20 N.
- 3.2 UNMATED FORCE: 8~20N AFTER TEST
- 3.3 DURABILITY: 10,000 CYCLES



Pin No	Signal Name	Mating Sequence	Pin No	Signal Name	Mating Sequence
A1	GND	First	B12	GND	First
A2	TX1+	Second	B11	RX1+	Second
A3	TX1-	Second	B10	RX1-	Second
A4	Vbus	First	B9	Vbus	First
A5	CC1	Second	B8	SBU2	Second
A6	D+	Second	B7	D-	Second
A7	D-	Second	B6	D+	Second
A8	SBU1	Second	B5	CC2	Second
A9	Vbus	First	B4	Vbus	First
A10	RX2-	Second	B3	TX2-	Second
A11	RX2+	Second	B2	TX2+	Second
A12	GND	First	B1	GND	First
SHELL	GND		SHELL	GND	

5.MATERIAL LIST:

No.	PART NAME	QTY	MATERIAL	REMARK
4	MID PLATE	1	STAINLESS STEEL	NI PLATED
3	SHELL	1	STAINLESS STEEL	NI PLATED
2	CONTACT	24	COPPER ALLOY	GOLD PLATED
1	HOUSING	1	THERMOPLASTIC(LCP)	(UL 94V-0)

TOLERANCES UNLESS OTHERWISE SPECIFIED:
X. ---
X.X ± 0.38
X.XX ± 0.25
X.XXX ± 0.20
Angle ± 3°

THESE DRAWING AND SPECIFICATION ARE THE PROPERTY OF Shenzhen Dongfangyue ELECTRONIC CO., LTD.. SHALL NOT BE REPRODUCED.

CUSTOMER COPY

深圳市东方御业科技有限公司
WWW.DFYCONN.COM TEL:0755-27155560

DRAWN: Qinkx 2017/09/10

CHECKED: Chenl 2017/09/10

APPROVED: Chenl 2017/09/10

TITIAL: **USB3.1 C TYPE F 板上型短体加长脚L1.65 90度 SMT+DIP**

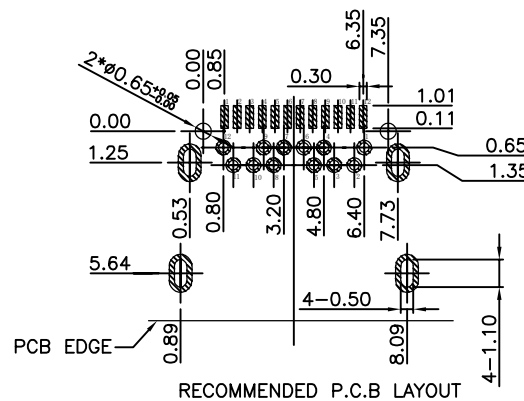
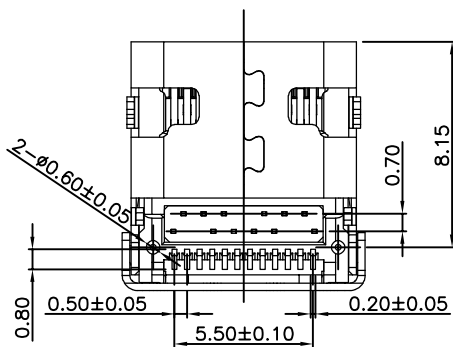
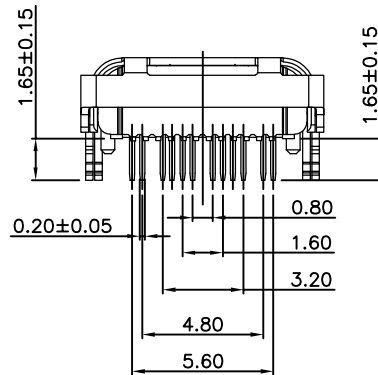
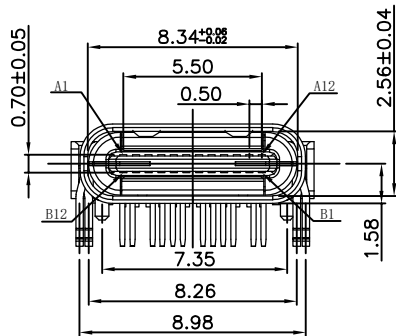
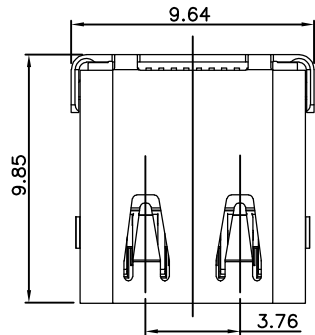
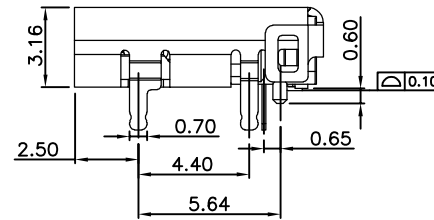
PART NO: EAST-USF2483N1384

DRAWING NO: (RoHS)

UNIT: mm

SCALE: N/A

SHEET: REV.

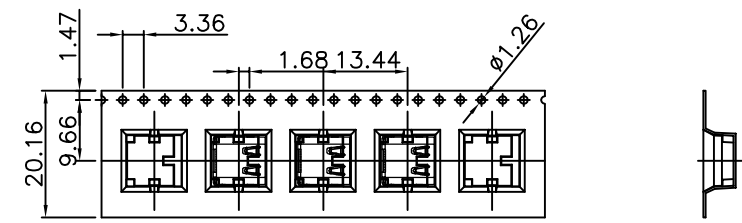
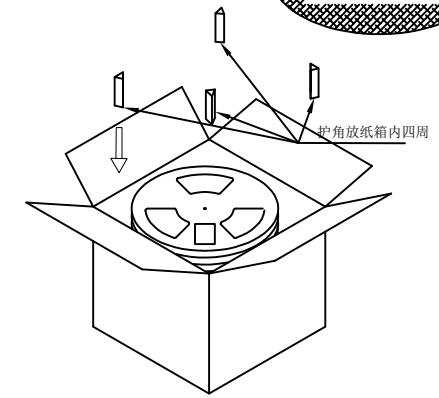
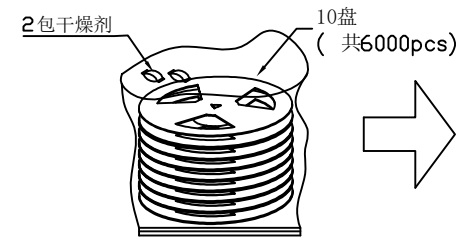
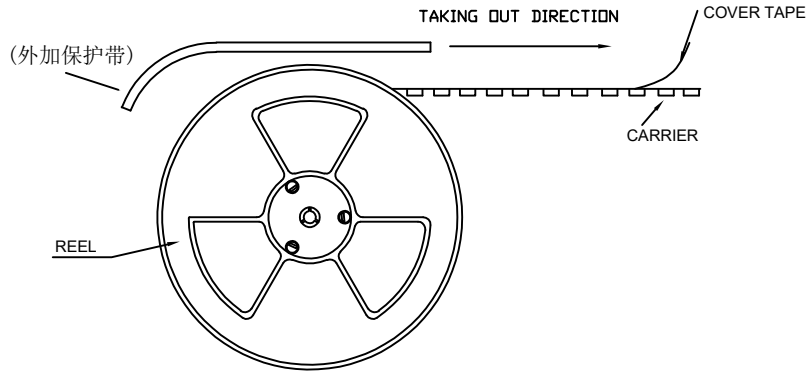
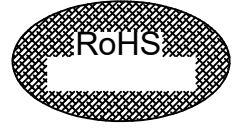


DO NOT SCALE PRINT

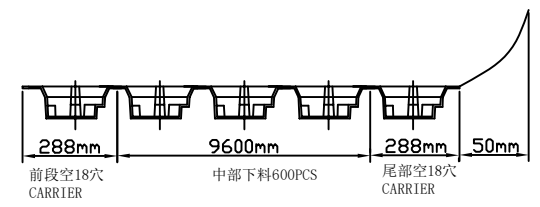
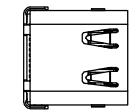
F
E
D
C
B
A

8 7 6 5 4 3 2 1

REV.	ECN NO.	MODIFY MATTER	DATE	APPROVED
A		RELEASE TO PRODUCTION		

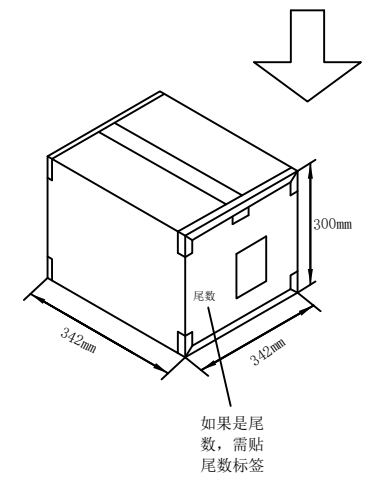


载带包装后卷料方向



Notes:

1. 每卷前后各空18PCS, 尾部用美纹胶纸封住,
2. 然后再卷一圈保护带, 保护带最后重叠约50MM, 用美纹胶纸将其封住
3. 每10卷盘装入一个防水袋, 然后放入1个外箱; 纸箱内四周放护角;
4. 在搬运过程中要轻拿轻放.
5. 在运输中不可堆放过多, 不可有重压现象.
6. 跌落测试条件:
成品箱子从1.5米高自由落体: (三棱六面一角) 检验项目: 1. 产品不可跑出下带凹槽.
2. 产品不可有摔伤, 变形.
3. 外箱及内包装材料不可严重破损.



TOLERANCES UNLESS OTHERWISE SPECIFIED: X. --- X.X ± 0.38 X.XX ± 0.25 X.XXX ± 0.20 Angle ± 3°	COSTOMER COPY		深圳市东方御业科技有限公司 WWW.DFYCONN.COM TEL:0755-27155560		
	DRAWN: Qinkx	2017/09/10	TITL: USB3.1 C TYPE F 板上型短体加长脚L1.65 90度 SMT+DIP (RoHS)		
	CHECKED: Chenl	2017/09/10	PART NO: EAST-USF24B3N1384		
	APPROVED: Chenl	2017/09/10	UNIT: mm	SCALE: N/A	SHEEL: REV.
THESE DRAWING AND SPECIFICATION ARE THE PROPERTY OF Shenzhen Dongfangyue ELECTRONIC CO., LTD.. SHALL NOT BE REPRODUCED.					

DO NOT SCALE PRINT