

REV.	ECN NO.	MODIFY MATTER	DATE	APPROVED
A		RELEASE TO PRODUCTION		

**SPECIFICATION:**

**1. MATERIAL:**

HOUSING: LCP E130I 30% G/F UL 94V-0

COLOR: BLACK

CONTACT: PHOSPHOR BRONZE C519I H,T=0.25mm

PEG: BRASS C2680R H,T=0.30mm

**2. FINISH:**

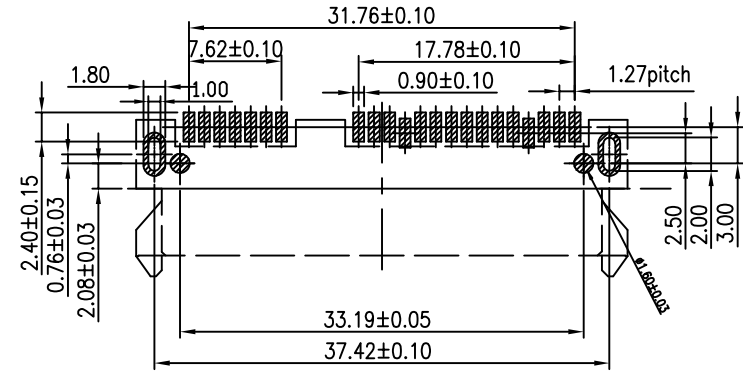
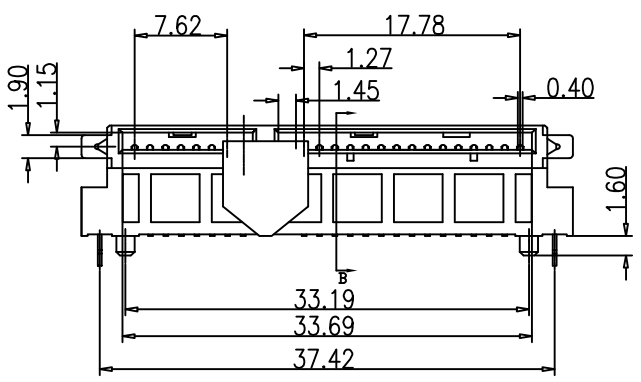
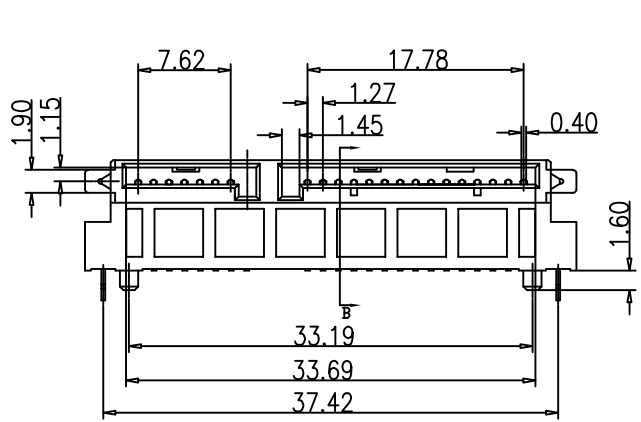
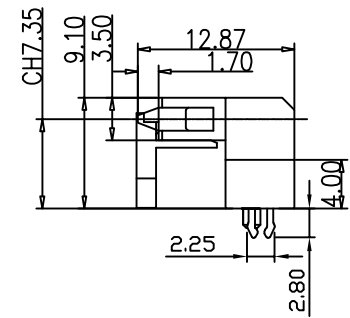
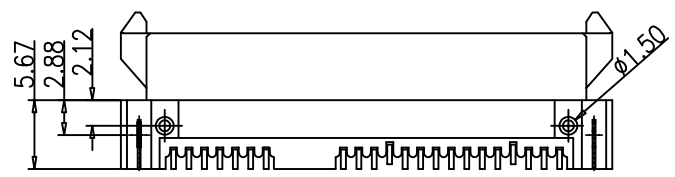
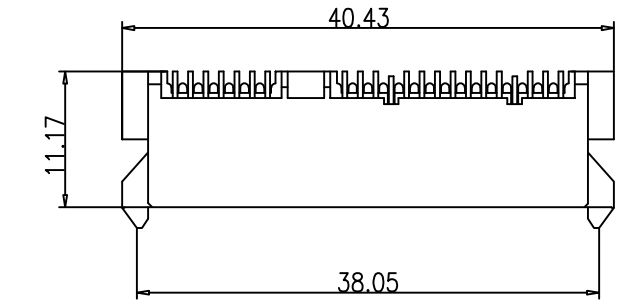
CONTACT: 1u" GOLD/TIN PLATING ON CONTACT AREA

100u" MIN. TIN-LEAD PLATING ON SOLDER TAILS

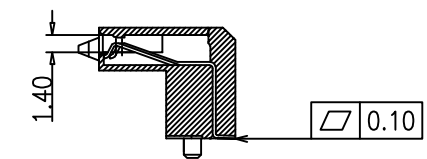
50u" MIN. NICKEL UNDERPLATING OVER ALL

PEG: 100u" MIN. TIN-LEAD PLATING ON SOLDER TAILS

50u" MIN. NICKEL UNDERPLATING OVER ALL



RECOMMEND PCB LAYOUT (T=1.6)  
PCB TOLERANCE±0.05



**EAST-SA90SDS91LDCR**

90: 卧式  
18: 直立

SD: SMT  
DP: DIP

P=公  
S=母

高度  
H: 9.1mm

P: PBT  
A: PA66  
L: LCP

包装  
A=Tube,  
B=Reel,  
C=Tray

U=上接触  
D=下接触

Signal Segment		Power Segment			
Name	Type	Name	Type	Name	Type
S1	GND	P1	V3.3	P9	V5
S2	A+	P2	V3.3	P10	GND
S3	A-	P3	V3.3	P11	DAS/DSS
S4	GND	P4	GND	P12	GND
S5	B-	P5	GND	P13	V12
S6	B+	P6	GND	P14	V12
S7	GND	P7	V5	P15	V12
		P8	V5		

TOLERANCES UNLESS OTHERWISE SPECIFIED:  
X. ---  
X. X ± 0.38  
X. XX ± 0.25  
X. XXX ± 0.10  
Angle ± 1°

THESE DRAWING AND SPECIFICATION ARE THE PROPERTY OF Shenzhen Dongfangyue ELECTRONIC CO., LTD., SHALL NOT BE REPRODUCED.

COSTOMER COPY		深圳市东方御业科技有限公司 WWW.DFYCONN.COM TEL:0755-27155560	
DRAWN: CHENLEI	2017/09/10	TITL: SATA 7+15P F R/A 板下DIP型 塑高9.1mm (RoHS)	
CHECKED: CHENLEI	2017/09/10	PART NO: EAST-SA90SDS91LDCR	
APPROVED: QINKAIXING	2017/09/10	UNIT: mm	SCALE: N/A SHEEL: 1:1 REV.