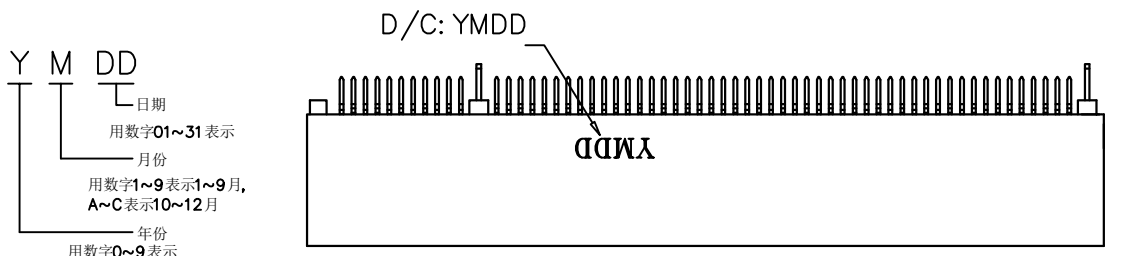


REV	LTR	DESCRIPTION	DATE	DWN
-----	-----	-------------	------	-----



ORDER INFORMATION:

EAST-120 01 X 09 XX X X

No. of Pins

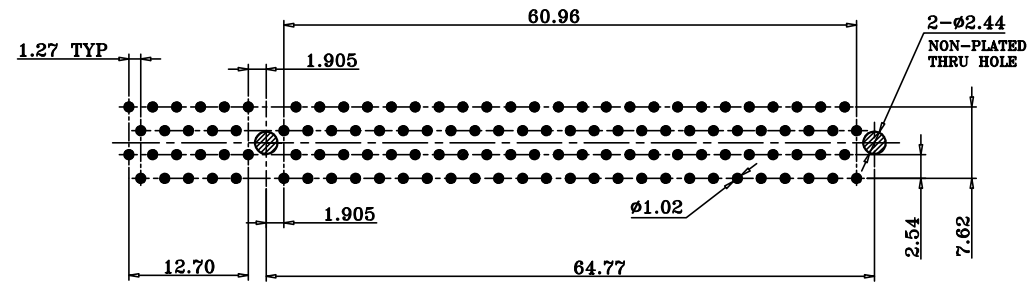
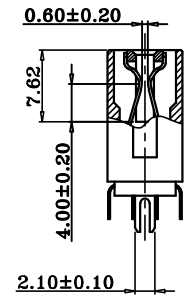
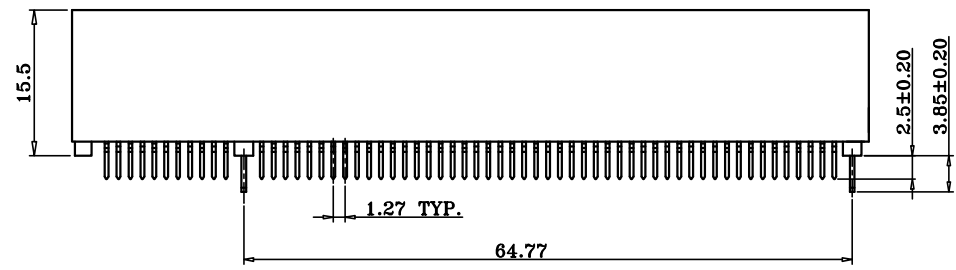
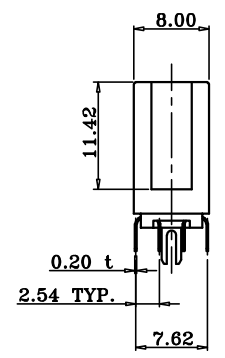
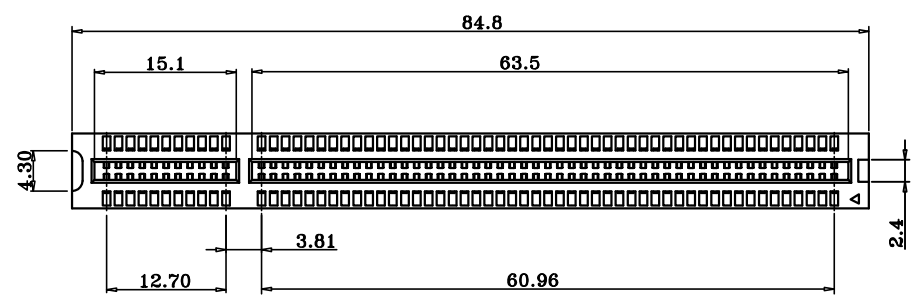
Plating:

A-Flash.Gold in contact area/
80u" Min Tin in solder area.
B-3u" Min.Gold in contact area/
80u" Min Tin in solder area.
C-5u" Min.Gold in contact area/
80u" Min Tin in solder area.
D-10u" Min.Gold in contact area/
80u" Min Tin in solder area.
E-15u" Min.Gold in contact area/
80u" Min Tin in solder area.

Enviroment Protection:
R for RoHS
G for GP
H for Halogen-free

Packing:
A-Tube ,C-Tray ,E-Box

Color:
Ax:Red, Bx:Orange,Cx:Yellow,
Dx:Green, Ex:Yellow, Fx:Blue,
Hx:Gray, Gx:Purple, Kx:Black.
Ll:White.....



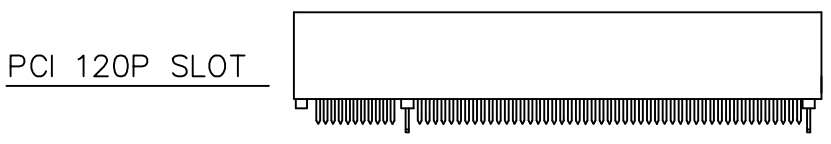
材质:
本体: PBT或PA66或PA46(具体见料号需求),UL-HB Min.;
端子: 青铜(具体见料号需求),触点镀金(厚度见料号需求),
焊脚镀锡80u" Min,全区镀镍底30u" Min.
12H雾盐试验无氧化发黑等不良现象(客户另有要求时依客户需求);
鱼叉: SPCC,全区镀镍50u" Min.
12H盐雾试验无氧化发黑等不良现象(客户另有要求时依客户需求)

xqc:RECOMMENDED PCB LAYOUT (COMPONENT SIDE)
TOLERANCE: ±0.05

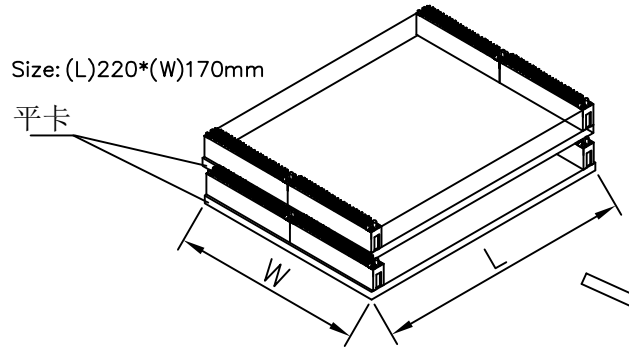
TOLERANCE		深圳市东方御业科技有限公司 TEL:0755-27155560 WWW.DFYCONN.COM	TITLE: PCI 120Pin传统型鱼叉式				
LINEAR	ANGLES		PART NO.: SEE TABLE				
.X±0.50	X'±2.0°		DWG NO.: EAST-1200101				
.X±0.30	.X'±1.0°	APPD:	DRWN: Rocky	UNITS	SCALE	SHEET	REV
.XX±0.20	.XX'±	CHKD:	DATE: 2011-5-20	MM	1:1	1 OF 1	A/0
.XXX±0.05	.XXX'±						

5	6	7	8
REV	LTR	DESCRIPTION	DATE
			DWN

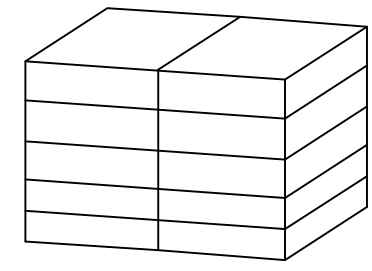
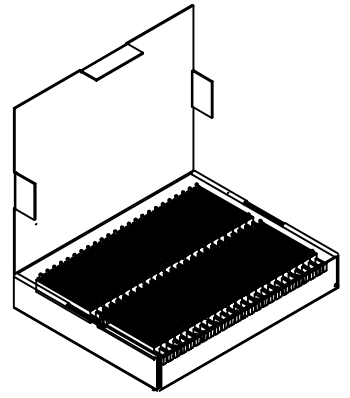
1-1 如图所示将产品摆放在平卡上



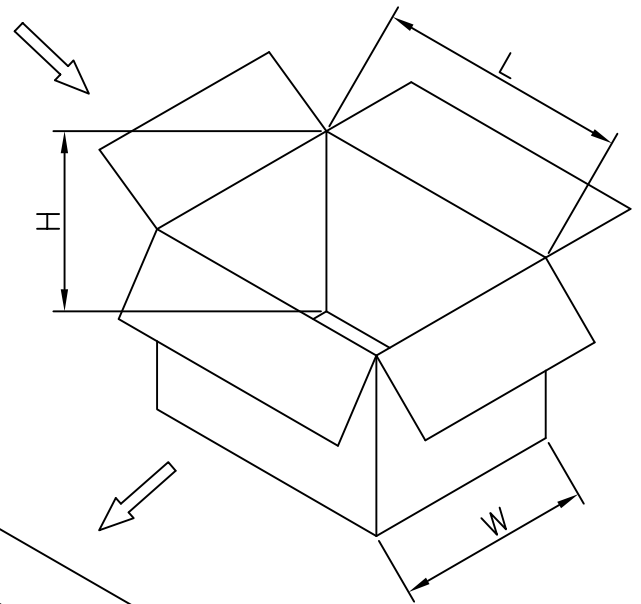
1-2 每层摆放2排，每排摆放25PCS
50PCS/层



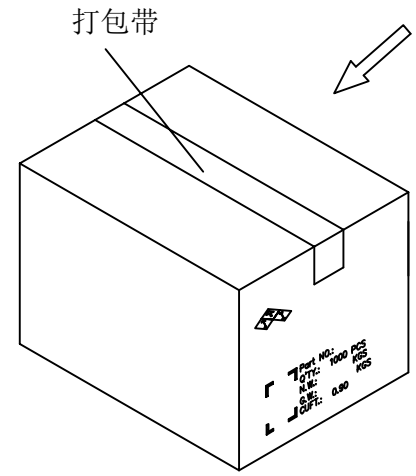
1-3 每盒摆放2层，每层摆放50PCS
100PCS/盒



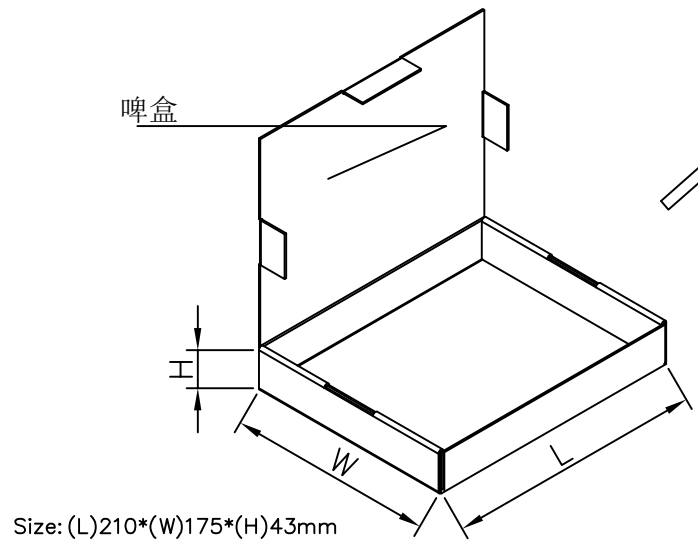
1-4 每箱装10盒（共二叠，每叠5层）
共计：1000PCS/箱



Size: (L)368*(W)225*(H)250mm



- 1-5 纸箱开口处以透明胶带粘合；
- 1-6 若有未装满之尾数箱，必须以填充物塞满；
- 1-7 纸箱侧唛贴上标签



Size: (L)210*(W)175*(H)43mm

TOLERANCE		深圳市东方御业科技有限公司 TEL: 0755-27155560 WWW.DFYCONN.COM	TITLE: PCI 120PIN 鱼叉式包装示意图				
LINEAR	ANGLES		PART NO. EAST-12001X(01~03)XXXX				
X.±0.50	X'±2.0'		DWG NO.(Old): RED-EA-002				
.X±0.30	.X'±1.0'	APPD:	DRWN: Rocky	UNITS	SCALE	SHEET	REV
.XX±0.20	.XX±	CHKD:	DATE: 2012-8-2	MM	1:1	1 OF 1	A/0
.XXX±0.05	.XXX±						