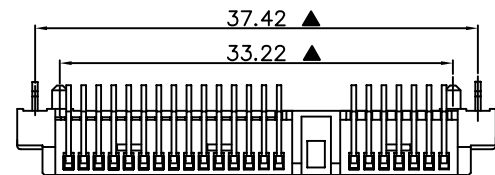
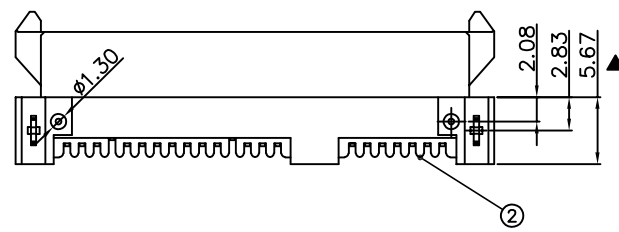
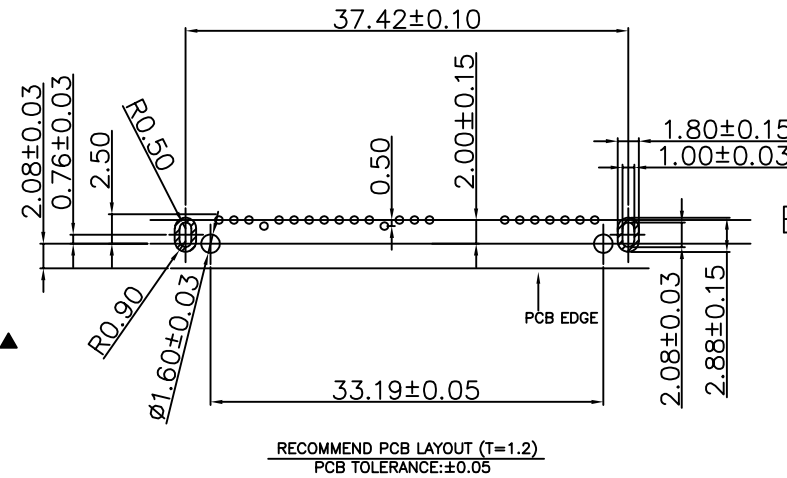
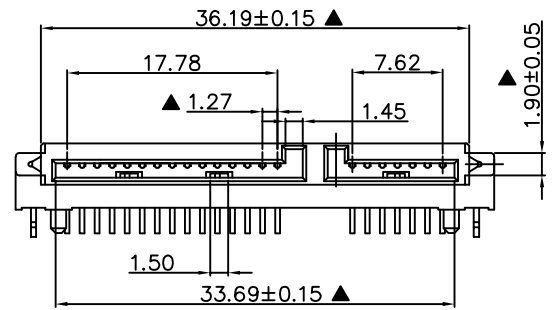
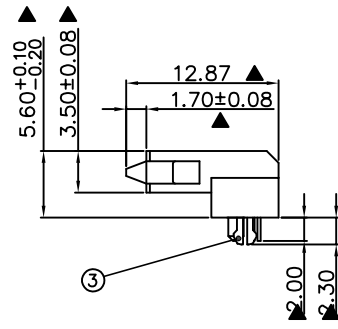
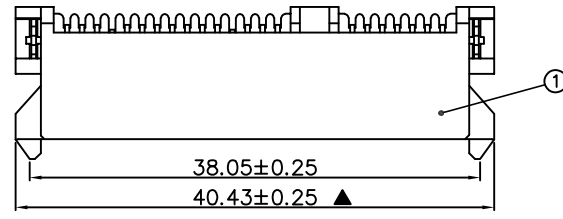


REV.	ECN NO.	MODIFY MATTER	DATE	APPROVED
A		RELEASE TO PRODUCTION		



**SPECIFICATION:**  
**1.MATERIAL:**  
HOUSING: LCP UL 94V-0  
COLOR: BLACK  
CONTACT: PHOSPHOR BRONZE C5191R-H,T=0.25mm  
PEG: BRASS C2680R-H,T=0.45mm  
**2.FINISH:**  
CONTACT:1u" GOLD/TIN PLATING ON CONTACT AREA  
100u" MIN. TIN PLATING ON SOLDER TAILS  
50u" MIN.NICKEL UNDERPLATING OVER ALL  
PEG:100u" MIN. TIN PLATING ON SOLDER TAILS  
50u" MIN.NICKEL UNDERPLATING OVER ALL



**EAST-SA90DPS56LUCR**

- 90:卧式
- 18:直立
- SD:SMT
- DP:DIP
- P=公
- S=母
- 高度 H:5.60mm
- P:PBT
- A:PA66
- L:LCP
- 包装
  - A-Tube,
  - B-Reel,
  - C-Tray
  - U=上接触
  - D=下接触

TOLERANCES UNLESS OTHERWISE SPECIFIED: X. --- X.X ± 0.38 X.XX ± 0.25 X.XXX ± 0.20 Angle ± 3°	COSTUMER COPY	深圳市东方御业科技有限公司 WWW.DFYCONN.COM TEL:0755-27155560		
	DRAWN: Qinx	2017/09/10	TITIAL: SATA 7+15P 母座DIP H:5.6板上型 (RoHS)	
THESE DRAWING AND SPECIFICATION ARE THE PROPERTY OF Shenzhen Dongfangyuye ELECTRONIC CO., LTD.. SHALL NOT BE REPRODUCED.	CHECKED: Chenl	2017/09/10	PART NO: EAST-SA90DPS56LUCR	
	APPROVED: Chenl	2017/09/10	UNIT: mm	DRAWING NO:
		SCALE: N/A	SHEEL:	REV.

DO NOT SCALE PRINT.