

REV.	ECN NO.	MODIFY	MATTER	DATE	APPROVED
A		RELEASE TO PRODUCTION			



SPECIFICATION:

1.MATERIAL:

HOUSING: LCP UL 94V-0

COLOR: BLACK

CONTACT: PHOSPHOR BRONZE C5191R-H,T=0.25mm

PEG: BRASS C2680R-H,T=0.45mm

2.FINISH:

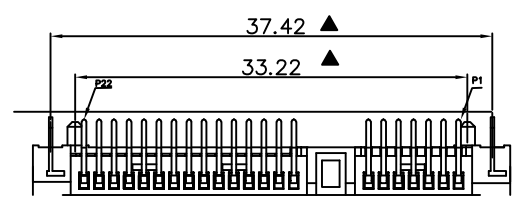
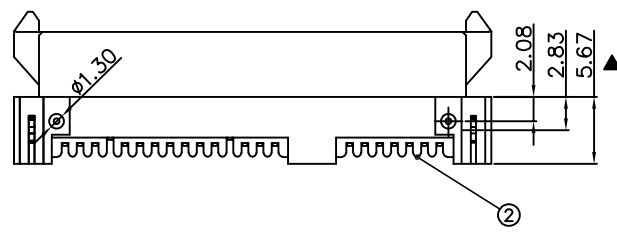
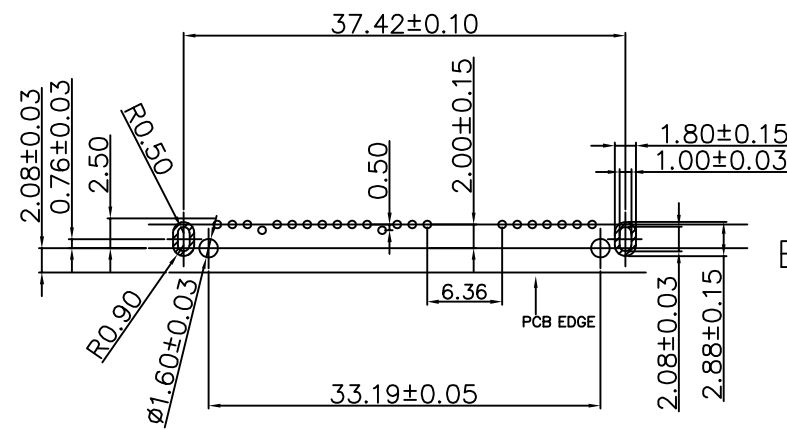
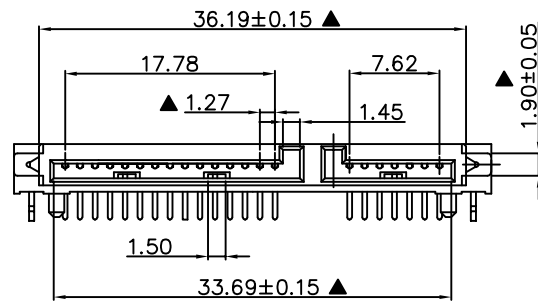
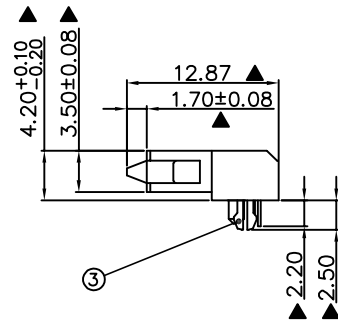
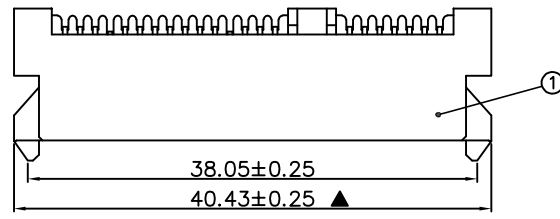
CONTACT:1u" GOLD/TIN PLATING ON CONTACT AREA

100u" MIN. TIN PLATING ON SOLDERTAILS

50u" MIN.NICKEL UNDERPLATING OVER ALL

PEG:100u" MIN. TIN PLATING ON SOLDERTAILS

50u" MIN.NICKEL UNDERPLATING OVER ALL



RECOMMEND PCB LAYOUT (T=1.2)
PCB TOLERANCE:±0.05

EAST-SA90DPS42LUCR

- 90:卧式
- 18:直立
- SD:SMT
- DP:DIP
- P=公
- S=母
- 高度
- H:4.20mm
- P:PBT
- A:PA66
- L:LCP
- 包装
- A-Tube,
- B-Reel,
- C-Tray
- U=上接触
- D=下接触

TOLERANCES UNLESS OTHERWISE SPECIFIED:

X	----
X.X	± 0.38
X.XX	± 0.25
X.XXX	± 0.20
Angle	± 3°

COSTOMER COPY		深圳市东方御业科技有限公司 WWW.DFYCONN.COM TEL:0755-27155560	
DRAWN: Qinkx	2017/09/10	TITL: SATA 7+15P 母座DIP H:4.20 板上型	
CHECKED: Chenl	2017/09/10	PART NO: EAST-SA90DPS42LUCR	DRAWING NO: (RoHS)
APPROVED: Chenl	2017/09/10	UNIT: mm	SCALE: N/A
		SHEEL:	REV.

THESE DRAWING AND SPECIFICATION ARE THE PROPERTY OF Shenzhen Dongfangyuye ELECTRONIC CO., LTD.. SHALL NOT BE REPRODUCED.

DO NOT SCALE PRINT.