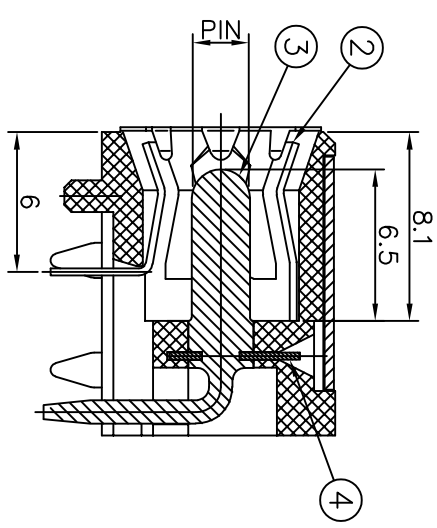
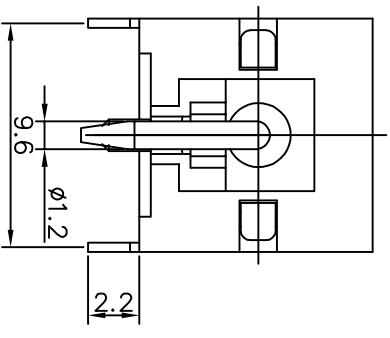
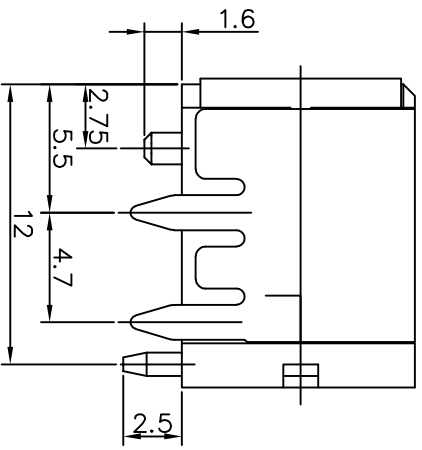
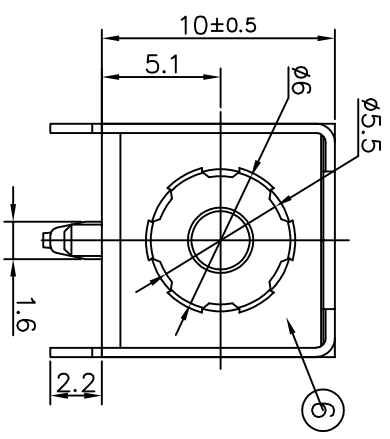
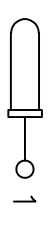


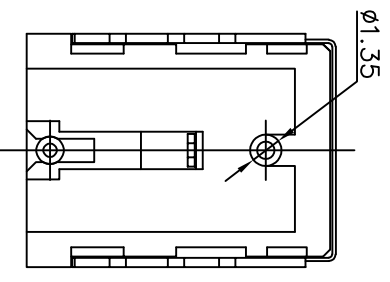
PCB MOUNTING HOLES
BOTTOM VIEW
(TOLERANCE: ±0.05)



EAST-DC-050-X-XX



SCHEMATIC



REV.	ECN NO.	MODIFY MATTER	DATE	APPROVED
A		RELEASE TO PRODUCTION		



ELECTRICAL
 VOLTAGE RATING: 20V DC (R.M.S)
 CURRENT RATING: 10A
 CONTACT RESISTANCE: 30mΩ MAX.
 INSULATION RESISTANCE: 100 MΩ MIN.
 DIELECTRIC WITHSTAND VOLTAGE: 500V AC (R.A.M)
 TEMPERATURE RANGE: -25°C TO +85°C
 MATERIALS & PLATING: SEE THE TABLE BELOW.

ORDERING INFORMATION:

QTY	PART NAME	QTY	REMARK
1	SUS. 301 0.15t		
1	SPCC 0.4t		
1	SUS. 301 0.3t		
1	BRASS		
1	COPPER ALLOY 0.3t		
1	PA9T UL 94V-0		
1	BI JACK		

CUSTOMER COPY
 深圳市东方御业科技有限公司
 WWW.DFYCONN.COM TEL: 0755-27155560

ANGULAR	±5°
16 < L ≤ 63	±0.4
4 < L ≤ 16	±0.3
L ≤ 4	±0.2
UNSPECIFIED TOLERANCE	

TOLERANCES UNLESS OTHERWISE SPECIFIED:
 X.X ± 0.38
 X.XX ± 0.25
 X.XXX ± 0.20
 Angle ± 3°

DESIGNED: Qlnkx	2017/09/10	PART NO: EAST-DC-050-X-XX
CHECKED: Chenli	2017/09/10	
APPROVED: Chenli	2017/09/10	
DC JACK		(RoHS)

PIN	φ1.65	φ2.00	φ2.50
APPD	1.65	2.00	2.50