

SECTION A-A

NOTE:

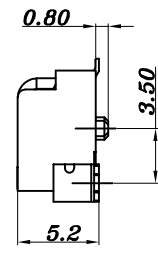
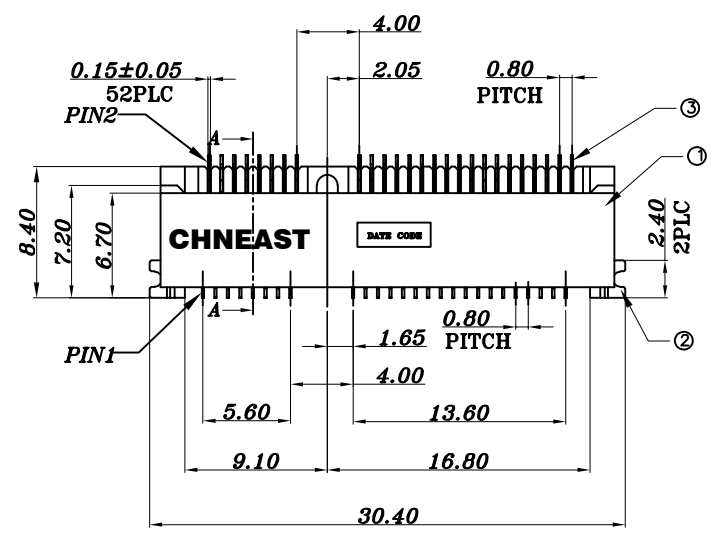
1.MATERIAL:

- 1.1.HOUSING: LCP UL94V-0,COLOR:BLACK
- 1.2.CONTACTS: COPPER ALLOY.;
- 1.3.PEG: COPPER ALLOY.

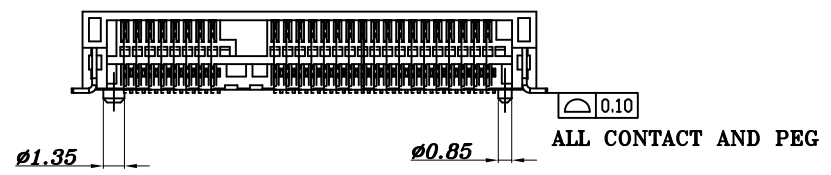
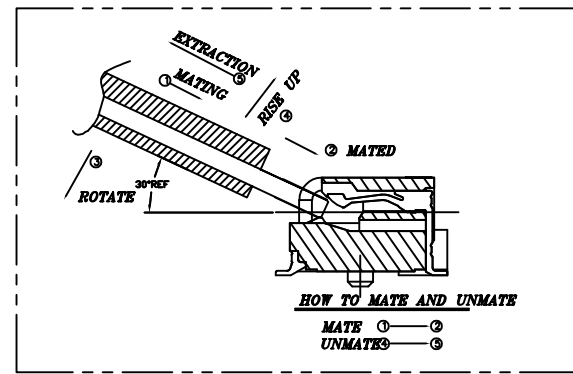
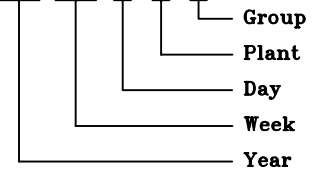
2.REFLOW SOLDER CAPABLE TO 260°C

3.FINISH:

- CONTACT: GOLD FLASH ON CONTACT AREA AND SOLDER AREA. 50u" MIN NICKEL UNDERPLATING OVERALL.
- PEG: 100u" MIN.MATTE-TIN PLATED ON SOLDERING AREA. 50u" MIN. NICKEL UNDERPLATING.



DATA CODE: XX XX X X X



ITEM	NAME	QUANTITY
1	HOUSING	1 PCS
2	PEG	2 PCS
3	CONTACT	52 PCS

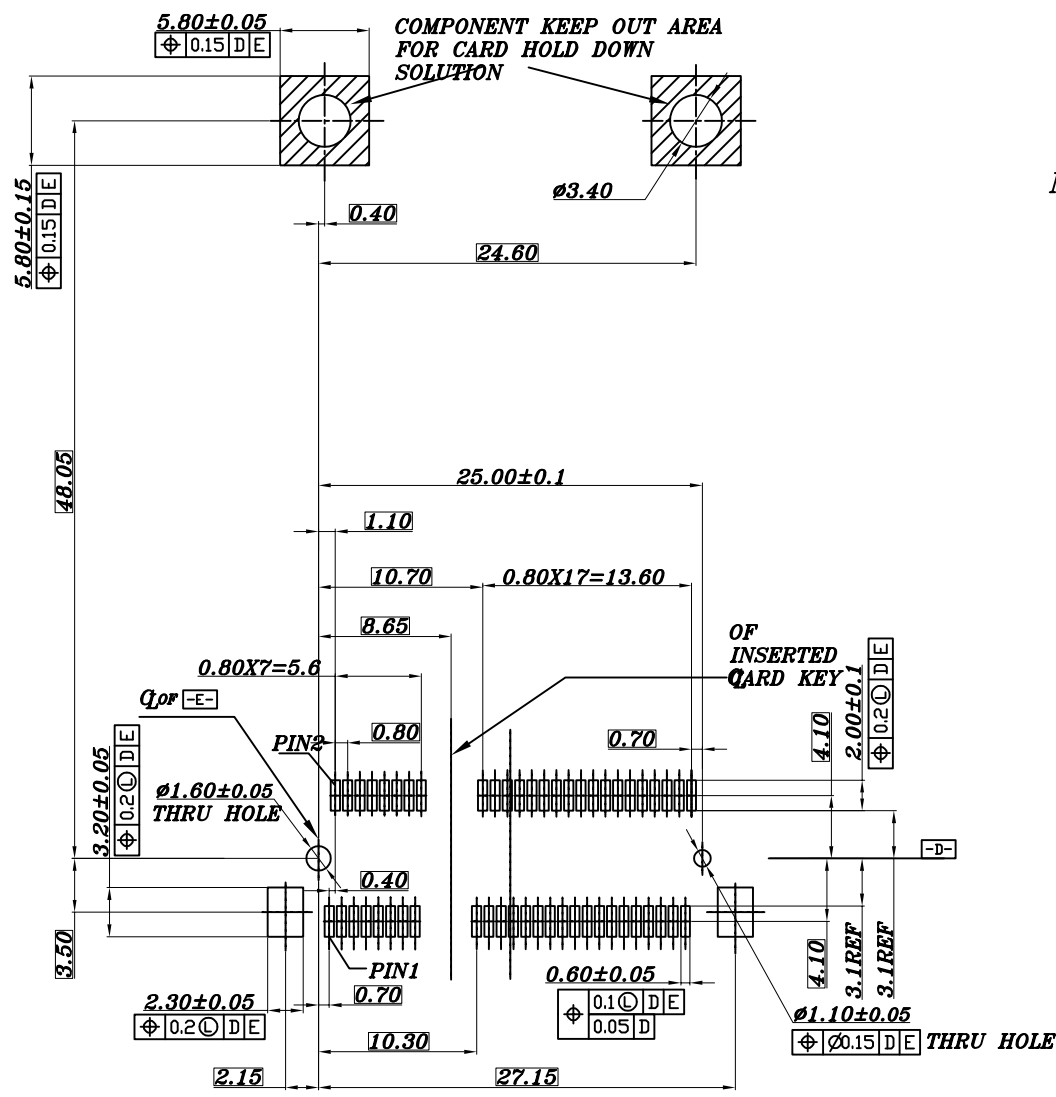
TOLERANCE	
LINEAR	ANGLES
X ±0.50	X° ±2.0°
.X ±0.30	.X° ±1.0°
.XX ±0.20	.XX° ±
.XXX ±0.10	.XXX° ±

深圳市东方御业科技有限公司
Tel:0755-27155560 WWW.DFYCONN.COM

APPD: DRWN: Rocky
CHKD: DATE: 2012-8-1

TITLE: Mini PCI EXPRESS 52P 5.2H Connector			
PART NO. SEE TABLE			
DWG NO. EAST-MX052P-52H			
UNITS	SCALE	SHEET	REV
MM	1:1	1 OF 2	A/0

5	6	7	8
REV	LTR	DESCRIPTION	DATE
			DWN



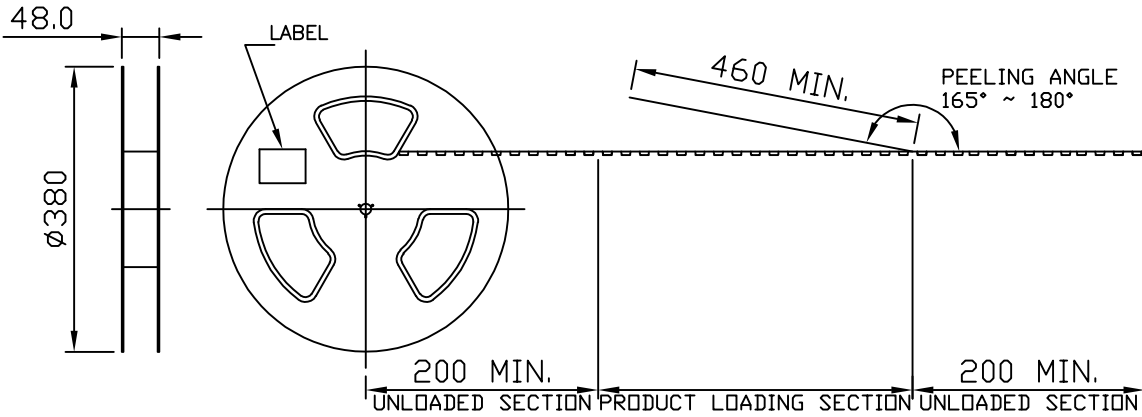
NOTES:

1. **Electrical characteristics:**
 - a. Voltage rating: 50V AC per contact;
 - b. Current rating: 0.5 AMP per contact;
 - c. Dielectric withstanding voltage: 300V AC RMS (Min);
 - d. Insulation resistance: 500 Megohms at 500V DC Min;
 - e. Contact resistance: 55 milliohms Max (initial);
2. **Mechanical characteristics:**
 - a. Insertion force: 2.3kgf Max;
 - b. Withdrawal force: 0.1kgf Min;
 - c. Durability: insert & withdraw 50 cycles;

RECOMMENDED PCB LAYOUT
THICKNESS: 1.20±0.05mm

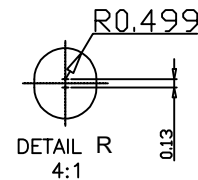
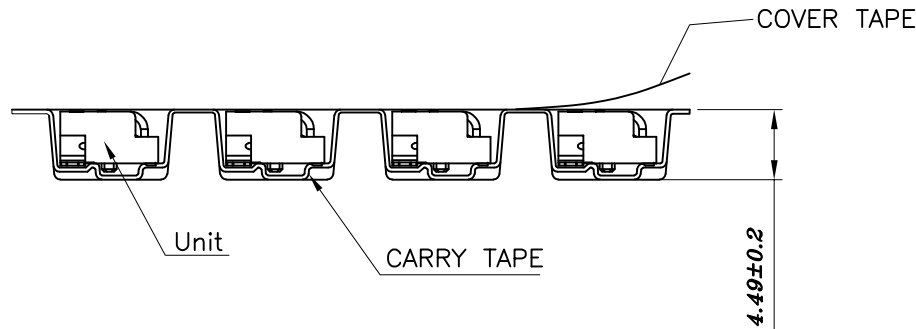
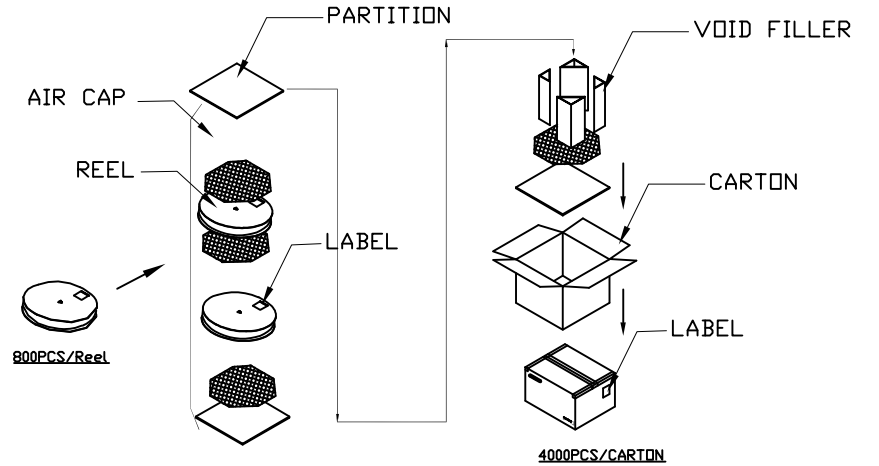
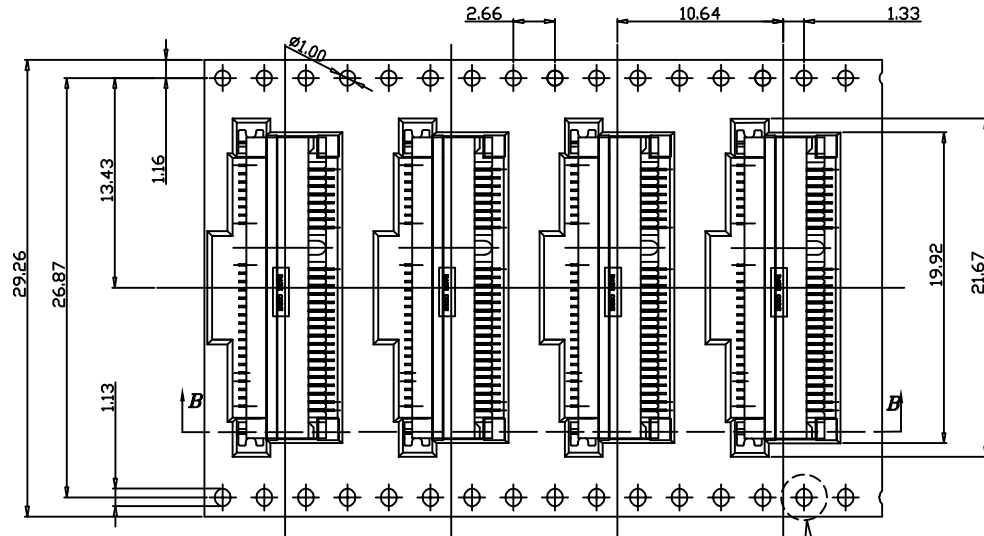
TOLERANCE		深圳市东方御业科技有限公司 Tel: 0755-27155560 www.dfyyconn.com	TITLE: Mini PCI EXPRESS 52P 5.2H Connector				
LINEAR	ANGLES		PART NO.	SEE TABLE			
X.±0.50	X*±2.0°	DWG NO.	EAST-MX052P-52H				
.X ±0.30	.X*±1.0°	APPD:	DRWN: Rocky	UNITS	SCALE	SHEET	REV
.XX ±0.20	.XX*±	CHKD:	DATE: 2012-8-1	MM	1:1	2 OF 2	A/0
.XXX ±0.10	.XXX*±						

REV	LTR	DESCRIPTION	DATE	DWN
-----	-----	-------------	------	-----



NOTES :

- MATERIAL :
COVER TAPE : ANTISTATIC P.S T=0.05
CARRIER TAPE : ANTISTATIC P.S T=0.40
REEL : PS UL94V-0
CARTON: CORRUGATED FIBER
- DIMENSION :
REEL : SEE DRAWING
SHIPPING BOX: 385X385X295mm
- QUANTITY : SEE TABLE
- PEELING RESISTANCE : 10gf~130gf (for 12~56mm)
- PEELING SPEED : 300mm/MINUTES



TOLERANCE		TITLE: Packing for Mini PCI EXPRESS 52P 5.2H Connector	
LINEAR	ANGLES	深圳市东方御业科技有限公司	
X.±0.50	X°±2.0°	Tel:0755-27155560 WWW.DFYCONN.COM	
.X±0.30	.X°±1.0°	PART NO.	
.XX±0.20	.XX°±	DWG NO. EAST-MX052P-52H	
.XXX±0.10	.XXX°±	APPD:	DRWN: Rocky
		CHKD:	DATE: 2012-7-31
			UNITS SCALE SHEET REV
			MM 1:1 1 OF 1 A/0